



**CERTIFIED
GOLD**

ProTeam Super Coach Pro® 6

**107310* Super Coach Pro 6 w/
Xover Telescoping Wand Tool Kit D (107100)**

\$725

The Super Coach Pro 6 commercial backpack vacuum delivers unsurpassed power in an ergonomic, lightweight and comfortable frame. With a smaller footprint, it's easy to maneuver in tight spaces. Easy access post motor filter made from HEPA Media captures and contains microscopic particulates and carbon dust.



Specifications

Weight:	11.8 lbs. / 5.35 kg.
Motor Airflow:	153 CFM
Static Lift:	91 in.
Motor:	1296 W / 10.8 A
Decibel:	69.7 dBA
Capacity:	6 qt. / 6.6 L
ProLevel Filtration® w/Four Levels of Filtration:	1054 sq. in. total area

**ProLevel Filtration System with HEPA Media

Captures 99.6% at 0.3-0.5 microns per ASTM F3150

Limited Warranty

- 3 years parts, labor and motor on vacuum
- Limited lifetime on molded body parts



**CLEANING
FOR HEALTH**



**COST OF
OWNERSHIP**



SAVES TIME

*Standard Configuration

14" Xover Floor Tool	3" Dust Brush
Telescoping Wand	17" Crevice Tool
5" Upholstery Tool	

Related Products

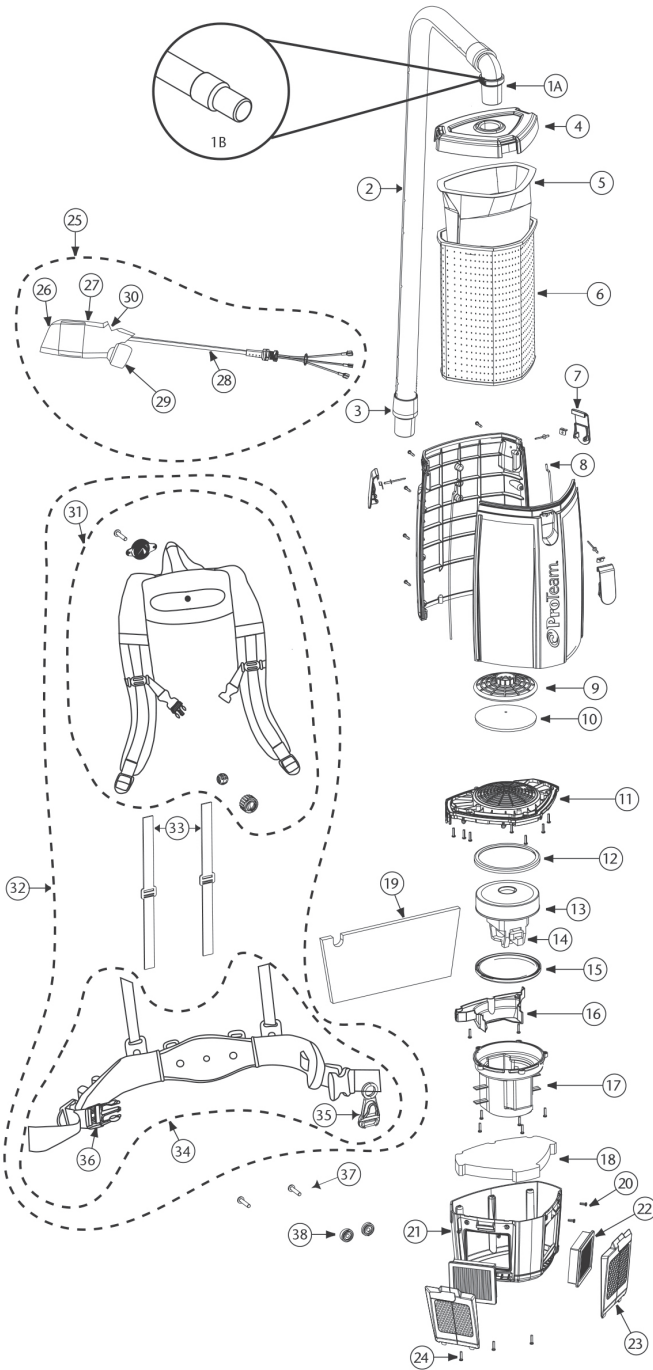
107314	Intercept Micro® Filters, 10/pk (open collar)	\$22.58
107374	Intercept Micro Filters, 10/pk (closed collar)	28.59

***The filtration value of ProTeam's ProLevel Filtration System in this vacuum is achieved by the use of a multi-stage filtration system, including intercept micro filter, micro cloth filter, plastic cage with foam filter, and post-motor filter made from HEPA media, as tested per ASTM F3150. Specification calculations are based on average motor performance.*

Optional Configurations

107308	w/Xover® Two-Piece Tool Kit B (107098)	\$725
107307	w/Xover Performance Telescoping Wand Tool Kit C (107099)	725
107309	w/Hard Surface Floor Kit A (101829)	745
107343	w/15" Carpet Sidewinder® Kit A (106820)	745
107344	w/18" Carpet Sidewinder Kit B (106841)	770
107371	w/Pest Control Kit (103439)	950
107464	w/Carpet and Hard Surface Sidewinder Kit C (107463)	810
107467	w/Remediation Kit (107466)	790
107497	w/Xover Kit (107100), 20" Tool & Vac Station	865
107533	w/ProBlade® Carpet Floor Tool Kit (107530)	725
107534	w/ProBlade Hard Surface Floor Tool Kit (107531)	755
107535	w/ProBlade Carpet and Hard Surface Floor Tool Kit (107532)	800
107742	w/Two-Piece Wand (101338) and Xover Tool (107016)	700
107743	w/Telescoping Wand (107628) and Xover Tool (107016)	705

SUPER COACH PRO 6 & 10 / PROVAC FS 6 PARTS



No.	Product Name	Qty	List Price
1A	101928 Replacement Double Swivel Elbow Cuff	1 ea.	\$13.77
1B	100694 Replacement Double Swivel Straight Cuff (PV FS)	1 ea.	8.21
2	107648 48" Static-Dissipating Hose w/ Non-Replaceable Elbow & Straight Cuffs	1 ea.	41.57
	100505 48" Static-Dissipating Hose w/Straight Cuffs (PV FS)	1 ea.	39.73
3	100694 Replacement Double Swivel Straight Cuff	1 ea.	8.21
4	833948 Top Cap (Purple)	1 ea.	51.72
	833948-1 Top Cap (Black) (PV FS)	1 ea.	51.72
5	107313 Intercept Micro Filter (SCP 10)	10/pk	27.32
	107314 Intercept Micro Filter (SCP 6 & PV FS)	10/pk	22.58
6	834000 Micro Cloth Filter (SCP 10)	1 ea.	44.91
	834072 Micro Cloth Filter (SCP 6 & PV FS)	1 ea.	37.09
7	510179 Latch and Retainer w/Lock Nut & Screw	1 set	11.09
8	510180 Gasket for Tank (SCP 10)	2 ea.	7.00
	510181 Gasket for Tank (SCP 6 & PV FS)	2 ea.	5.16
9	510183 Dome Filter w/Foam Media (includes: 10)	1 set	11.98
10	510184 Foam Filter Media for Dome Filter	1 ea.	3.65
11	510193 Upper Motor Support w/Gasket	1 set	11.13
12	833951 Upper Motor Gasket	1 ea.	4.30
13	836099 Motor/Fan (120 V) (Wolong)	1 ea.	179.28
14	841933 Carbon Brush Set (Wolong)	1 set	31.82
	101720 Carbon Brush Set (Ametek)	1 set	31.82
15	833952 Lower Motor Gasket	1 ea.	3.83
16	510185 Cover Wire w/2 screws	1 set	3.92
17	510194 Lower Motor Support (5 screws)	1 set	19.90
18	834042 Triangular Lower Foam Pad	1 ea.	4.43
19	834043 Rectangular Upper Foam Pad	1 ea.	4.06
20	808380-0 Screw Pan CR #8 x 1/2"	1 ea.	1.33
21	510188 Lower Housing Assembly w/Screws	1 set	36.10
22	107315 Exhaust Filter made from HEPA Media (2 pack)	1 set	17.54
23	841708 Exhaust Filter Door w/Latch	1 ea.	10.61
24	808380-22 Screw Pan CR #8 x 3/4"	1 ea.	1.63
25	836225-1 Switch Cord and Power Cord Assembly (includes: 26-30) (PV FS)	1 set	60.65
	836225 Switch Box, Full Assembly (without power receptacle)	1 set	45.49
26	106066 On/Off Switch	1 ea.	10.85
27	836554-1 Switch Box (PV FS)	1 ea.	36.64
	836554 Switch Box (without power cord)	1 ea.	15.95
28	836480 Power Cord Assembly	1 ea.	15.16
29	841724 Power Plug Assembly	1 ea.	8.12
30	836478 Electrified Hose Receptacle (PV FS)	1 ea.	10.20
31	840112 Upper Harness Assembly	1 set	107.03
32	840011 FlexFit Harness Assembly (includes: 31, 33-34)	1 set	229.79
33	510192 Tensioning Straps	1 set	15.16
34	840114 Lower Harness Assembly (includes: 35, 36)	1 set	107.66
35	510738 Cord Holder	1 ea.	4.06
36	510301 Waist Belt Buckles and Straps Set	1 set	17.47
37	834051 5/16" - 18 x 1 3/8" Lock Screw (2 screws)	1 set	7.39
38	510186 Harness Spacers	2 ea.	4.70
	101678 50' Extension Cord (Not Shown)	1 ea.	50.99