



CERTIFIED GOLD



ProTeam Super Coach Pro® 10

**107303* Super Coach Pro 10 w/
Xover Telescoping Wand Tool Kit D (107100)**

\$735

A productive large capacity triangular shape vacuum combined with ProTeam's innovative articulating harness provides a backpack vacuum that feels more like a part of your body providing comfort and cleaning with ease. The weight of the backpack is distributed to the natural center of gravity, so you have better balance no matter how you move.



Specifications

Weight:	12.5 lbs. / 5.67 kg.
Motor Airflow:	153 CFM
Static Lift:	91 in.
Motor:	1296 W / 10.8 A
Decibel:	69.7 dBA
Capacity:	10 qt. / 11 L
ProLevel Filtration® w/Four Levels of Filtration:	1372 sq. in. total area

**ProLevel Filtration System with HEPA Media

Captures 99.8% at 0.3-0.5 microns per ASTM F3150

Limited Warranty

- 3 years parts, labor and motor on vacuum
- Limited lifetime on molded body parts



ERGONOMIC



LARGE CAPACITY



SAVES TIME

*Standard Configuration

14" Xover Floor Tool	3" Dust Brush
Telescoping Wand	17" Crevice Tool
5" Upholstery Tool	

Related Products

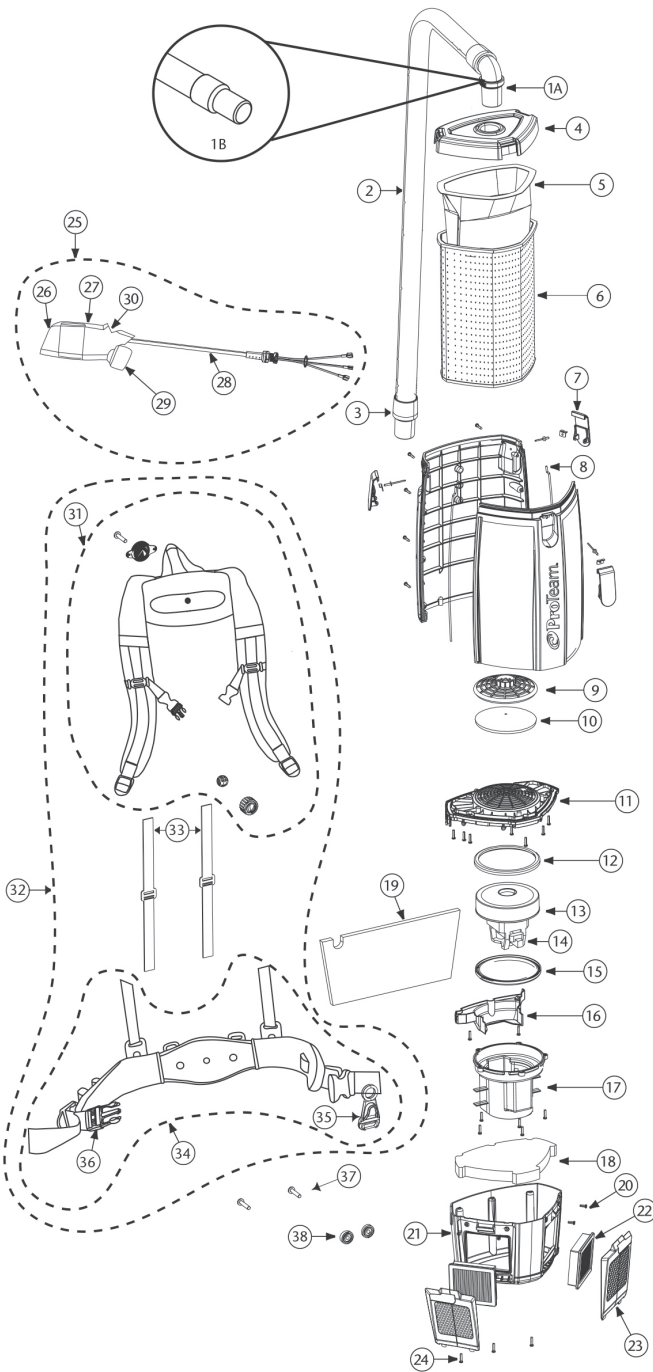
107313	Intercept Micro® Filters, 10/pk (open collar)	\$27.32
107680	Intercept Micro Filters, 10/pk (closed collar)	38.00

**The filtration value of ProTeam's ProLevel Filtration System in this vacuum is achieved by the use of a multi-stage filtration system, including intercept micro filter, micro cloth filter, plastic cage with foam filter, and post-motor filter made from HEPA media, as tested per ASTM F3150. Specification calculations are based on average motor performance.

Optional Configurations

107304	w/Xover® Two-Piece Wand Tool Kit B (107098)	\$735
107305	w/Xover Performance Telescoping Wand Tool Kit C (107099)	735
107306	w/Hard Surface Flooring Kit A (101829)	755
107338	w/Hard Surface Flooring Kit B (107336)	755
107339	w/Hard Surface Flooring Kit C (105889)	755
107340	w/15" Carpet Sidewinder® Kit A (106820)	755
107341	w/18" Carpet Sidewinder Kit B (106841)	780
107342	w/Hard Surface Flooring Kit D (105891)	755
107465	w/Carpet and Hard Surface Sidewinder Kit C (107463)	820
107468	w/Remediation Kit (107466)	800
107536	w/ProBlade® Carpet Floor Tool Kit (107530)	735
107537	w/ProBlade Hard Surface Floor Tool Kit (107531)	755
107538	w/ProBlade Carpet and Hard Surface Floor Tool Kit (107532)	810
107744	w/Two-Piece Wand (101338) and Xover Tool (107016)	710
107745	w/Telescoping Wand (107628) and Xover Tool (107016)	715

SUPER COACH PRO 6 & 10 / PROVAC FS 6 PARTS



No.	Product Name	Qty	List Price
1A	101928 Replacement Double Swivel Elbow Cuff	1 ea.	\$13.77
1B	100694 Replacement Double Swivel Straight Cuff (PV FS)	1 ea.	8.21
2	107648 48" Static-Dissipating Hose w/ Non-Replaceable Elbow & Straight Cuffs	1 ea.	41.57
	100505 48" Static-Dissipating Hose w/Straight Cuffs (PV FS)	1 ea.	39.73
3	100694 Replacement Double Swivel Straight Cuff	1 ea.	8.21
4	833948 Top Cap (Purple)	1 ea.	51.72
	833948-1 Top Cap (Black) (PV FS)	1 ea.	51.72
5	107313 Intercept Micro Filter (SCP 10)	10/pk	27.32
	107314 Intercept Micro Filter (SCP 6 & PV FS)	10/pk	22.58
6	834000 Micro Cloth Filter (SCP 10)	1 ea.	44.91
	834072 Micro Cloth Filter (SCP 6 & PV FS)	1 ea.	37.09
7	510179 Latch and Retainer w/Lock Nut & Screw	1 set	11.09
8	510180 Gasket for Tank (SCP 10)	2 ea.	7.00
	510181 Gasket for Tank (SCP 6 & PV FS)	2 ea.	5.16
9	510183 Dome Filter w/Foam Media (includes: 10)	1 set	11.98
10	510184 Foam Filter Media for Dome Filter	1 ea.	3.65
11	510193 Upper Motor Support w/Gasket	1 set	11.13
12	833951 Upper Motor Gasket	1 ea.	4.30
13	836099 Motor/Fan (120 V) (Wolong)	1 ea.	179.28
14	841933 Carbon Brush Set (Wolong)	1 set	31.82
	101720 Carbon Brush Set (Ametek)	1 set	31.82
15	833952 Lower Motor Gasket	1 ea.	3.83
16	510185 Cover Wire w/2 screws	1 set	3.92
17	510194 Lower Motor Support (5 screws)	1 set	19.90
18	834042 Triangular Lower Foam Pad	1 ea.	4.43
19	834043 Rectangular Upper Foam Pad	1 ea.	4.06
20	808380-0 Screw Pan CR #8 x 1/2"	1 ea.	1.33
21	510188 Lower Housing Assembly w/Screws	1 set	36.10
22	107315 Exhaust Filter made from HEPA Media (2 pack)	1 set	17.54
23	841708 Exhaust Filter Door w/Latch	1 ea.	10.61
24	808380-22 Screw Pan CR #8 x 3/4"	1 ea.	1.63
25	836225-1 Switch Cord and Power Cord Assembly (includes: 26-30) (PV FS)	1 set	60.65
	836225 Switch Box, Full Assembly (without power receptacle)	1 set	45.49
26	106066 On/Off Switch	1 ea.	10.85
27	836554-1 Switch Box (PV FS)	1 ea.	36.64
	836554 Switch Box (without power cord)	1 ea.	15.95
28	836480 Power Cord Assembly	1 ea.	15.16
29	841724 Power Plug Assembly	1 ea.	8.12
30	836478 Electrified Hose Receptacle (PV FS)	1 ea.	10.20
31	840112 Upper Harness Assembly	1 set	107.03
32	840011 FlexFit Harness Assembly (includes: 31, 33-34)	1 set	229.79
33	510192 Tensioning Straps	1 set	15.16
34	840114 Lower Harness Assembly (includes: 35, 36)	1 set	107.66
35	510738 Cord Holder	1 ea.	4.06
36	510301 Waist Belt Buckles and Straps Set	1 set	17.47
37	834051 5/16" - 18 x 1 3/8" Lock Screw (2 screws)	1 set	7.39
38	510186 Harness Spacers	2 ea.	4.70
	101678 50' Extension Cord (Not Shown)	1 ea.	50.99