



**CERTIFIED
GOLD**

ProTeam Super Coach Pro® 6

**107310* Super Coach Pro 6 w/
Xover Telescoping Wand Tool Kit D (107100)**

\$710

The Super Coach Pro 6 commercial backpack vacuum delivers unsurpassed power in an ergonomic, lightweight and comfortable frame. With a smaller footprint, it's easy to maneuver in tight spaces. Easy access post motor filter made from HEPA Media captures and contains microscopic particulates and carbon dust.



Specifications

Weight:	11.8 lbs. / 5.35 kg.
Motor Airflow:	153 CFM
Static Lift:	91 in.
Motor:	1108 W / 9.5 A
Decibel:	69.7 dBA
Capacity:	6 qt. / 6.6 L
ProLevel Filtration® w/Four Levels of Filtration:	1054 sq. in. total area

**ProLevel Filtration System with HEPA Media

Captures 99.63% at 0.3-.5 microns per ASTM F3150

Limited Warranty

- 3 years parts, labor and motor on vacuum
- Limited lifetime on molded body parts



**CLEANING
FOR HEALTH**



**COST OF
OWNERSHIP**



SAVES TIME

*Standard Configuration

14" Xover Floor Tool	3" Dust Brush
Telescoping Wand	17" Crevice Tool
5" Upholstery Tool	

Related Products

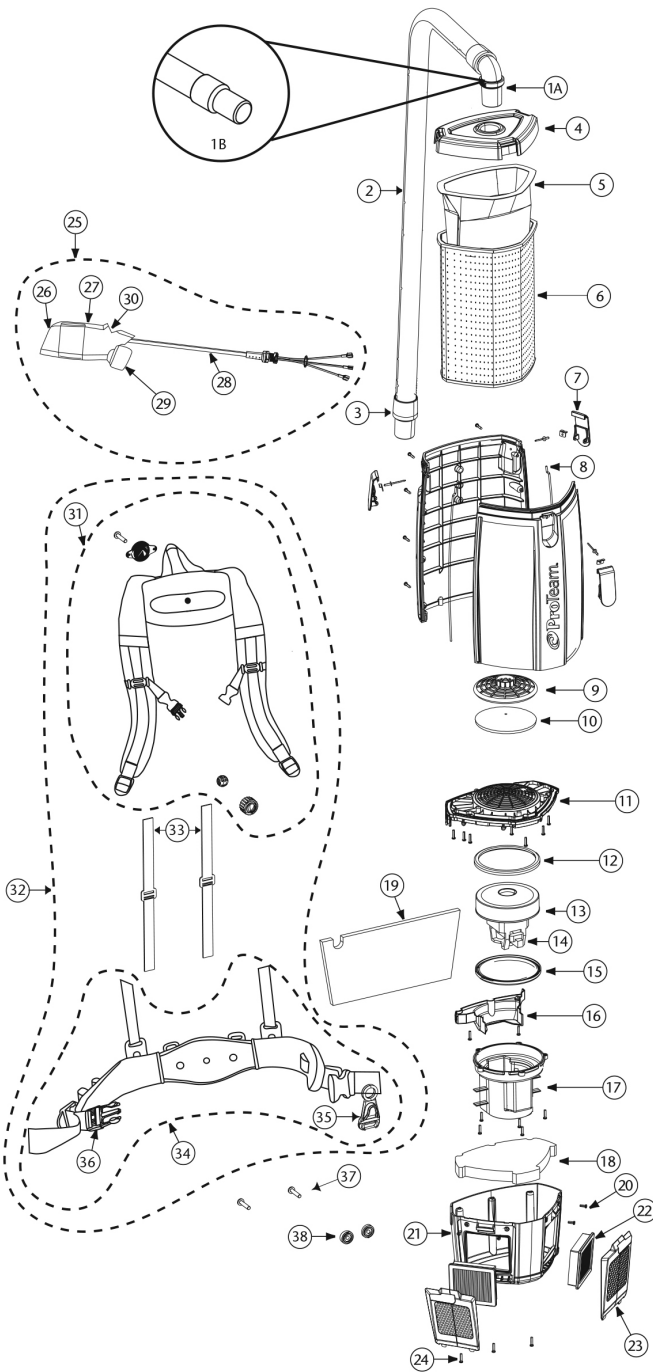
107314	Intercept Micro® Filters, 10/pk (open collar)	\$22.58
107374	Intercept Micro Filters, 10/pk (closed collar)	28.59

***The filtration value of ProTeam's ProLevel Filtration System in this vacuum is achieved by the use of a multi-stage filtration system, including intercept micro filter, micro cloth filter, plastic cage with foam filter, and post-motor filter made from HEPA media, as tested per ASTM F3150. Specification calculations are based on average motor performance.*

Optional Configurations

107308	w/Xover® Two-Piece Tool Kit B (107098)	\$710
107307	w/Xover Performance Telescoping Wand Tool Kit C (107099)	710
107309	w/Hard Surface Floor Kit A (101829)	730
107343	w/15" Carpet Sidewinder® Kit A (106820)	730
107344	w/18" Carpet Sidewinder Kit B (106841)	755
107371	w/Pest Control Kit (103439)	935
107464	w/Carpet and Hard Surface Sidewinder Kit C (107463)	795
107467	w/Remediation Kit (107466)	775
107497	w/Xover Kit (107100), 20" Tool & Vac Station	850
107533	w/ProBlade® Carpet Floor Tool Kit (107530)	710
107534	w/ProBlade Hard Surface Floor Tool Kit (107531)	740
107535	w/ProBlade Carpet and Hard Surface Floor Tool Kit (107532)	785
107742	w/Two-Piece Wand (101338) and Xover Tool (107016)	685
107743	w/Telescoping Wand (107628) and Xover Tool (107016)	690

SUPER COACH PRO 6 & 10 / PROVAC FS 6 PARTS



No.	Product Name	Qty	List Price
1A	101928 Replacement Double Swivel Elbow Cuff	1 ea.	\$13.40
1B	100694 Replacement Double Swivel Straight Cuff (PV FS)	1 ea.	7.99
2	107648 48" Static-Dissipating Hose w/ Non-Replaceable Elbow & Straight Cuffs	1 ea.	40.47
	100505 48" Static-Dissipating Hose w/Straight Cuffs (PV FS)	1 ea.	38.68
3	100694 Replacement Double Swivel Straight Cuff	1 ea.	7.99
4	833948 Top Cap (Purple)	1 ea.	50.36
	833948-1 Top Cap (Black) (PV FS)	1 ea.	50.36
5	107313 Intercept Micro Filter (SCP 10)	10/pk	27.32
	107314 Intercept Micro Filter (SCP 6 & PV FS)	10/pk	22.58
6	834000 Micro Cloth Filter (SCP 10)	1 ea.	43.72
	834072 Micro Cloth Filter (SCP 6 & PV FS)	1 ea.	36.11
7	510179 Latch and Retainer w/Lock Nut & Screw	1 set	10.79
8	510180 Gasket for Tank (SCP 10)	2 ea.	6.81
	510181 Gasket for Tank (SCP 6 & PV FS)	2 ea.	5.02
9	510183 Dome Filter w/Foam Media (includes: 10)	1 set	11.66
10	510184 Foam Filter Media for Dome Filter	1 ea.	3.55
11	510193 Upper Motor Support w/Gasket	1 set	10.83
12	833951 Upper Motor Gasket	1 ea.	4.18
13	836099 Motor/Fan (120 V) (Wolong)	1 ea.	174.56
14	841933 Carbon Brush Set (Wolong)	1 set	30.98
	101720 Carbon Brush Set (Ametek)	1 set	30.98
15	833952 Lower Motor Gasket	1 ea.	3.72
16	510185 Cover Wire w/2 screws	1 set	3.81
17	510194 Lower Motor Support (5 screws)	1 set	19.37
18	834042 Triangular Lower Foam Pad	1 ea.	4.31
19	834043 Rectangular Upper Foam Pad	1 ea.	3.95
20	808380-0 Screw Pan CR #8 x 1/2"	1 ea.	1.29
21	510188 Lower Housing Assembly w/Screws	1 set	35.15
22	107315 Exhaust Filter made from HEPA Media (2 pack)	1 set	17.07
23	841708 Exhaust Filter Door w/Latch	1 ea.	10.33
24	808380-22 Screw Pan CR #8 x 3/4"	1 ea.	1.58
25	836225-1 Switch Cord and Power Cord Assembly (includes: 26-30) (PV FS)	1 set	59.05
	836225 Switch Box, Full Assembly (without power receptacle)	1 set	44.29
26	106066 On/Off Switch	1 ea.	10.56
27	836554-1 Switch Box (PV FS)	1 ea.	35.67
	836554 Switch Box (without power cord)	1 ea.	15.53
28	836480 Power Cord Assembly	1 ea.	14.76
29	841724 Power Plug Assembly	1 ea.	7.90
30	836478 Electrified Hose Receptacle (PV FS)	1 ea.	9.93
31	840112 Upper Harness Assembly	1 set	104.21
32	840011 FlexFit Harness Assembly (includes: 31, 33-34)	1 set	223.74
33	510192 Tensioning Straps	1 set	14.76
34	840114 Lower Harness Assembly (includes: 35, 36)	1 set	104.82
35	510738 Cord Holder	1 ea.	3.95
36	510301 Waist Belt Buckles and Straps Set	1 set	17.01
37	834051 5/16" - 18x1 - 3/8" Lock Screw (2 screws)	1 set	7.19
38	510186 Harness Spacers	2 ea.	4.57
	101678 50' Extension Cord (Not Shown)	1 ea.	49.64