

ProTeam QuietPro® CN HEPA

107152* QuietPro CN HEPA w/
Xover Telescoping Tool Kit D (107100)

\$760

The QuietPro CN HEPA vacuum with QuietPower Technology delivers high performance where low sound levels are critical. With a filter capacity four times the size of standard uprights, the QuietPro CN HEPA provides maximum cleaning ability.



QUIET



COST OF OWNERSHIP



PRODUCTIVE

Specifications

Weight:	12 lbs./5.44 kg	
	Low	High
Motor Airflow:	85 CFM	124 CFM
Static Lift:	38 in.	75 in.
Motor:	552 W/4.6 A	744 W/6.2 A
Decibel:	47 dBA	55 dBA
Capacity:	10 qt/11 L	
Four Level® Filtration w/HEPA:	2188 sq. in. total area	

HEPA Filtration

captures 99.97% at 0.3 microns

Limited Warranty

3 years parts, labor and motor on vacuum

Limited lifetime on molded body parts

*STANDARD CONFIGURATION

14" Xover Floor Tool 3" Dust Brush
Telescoping Wand 17" Crevice Tool
5" Upholstery Tool

RELATED PRODUCTS

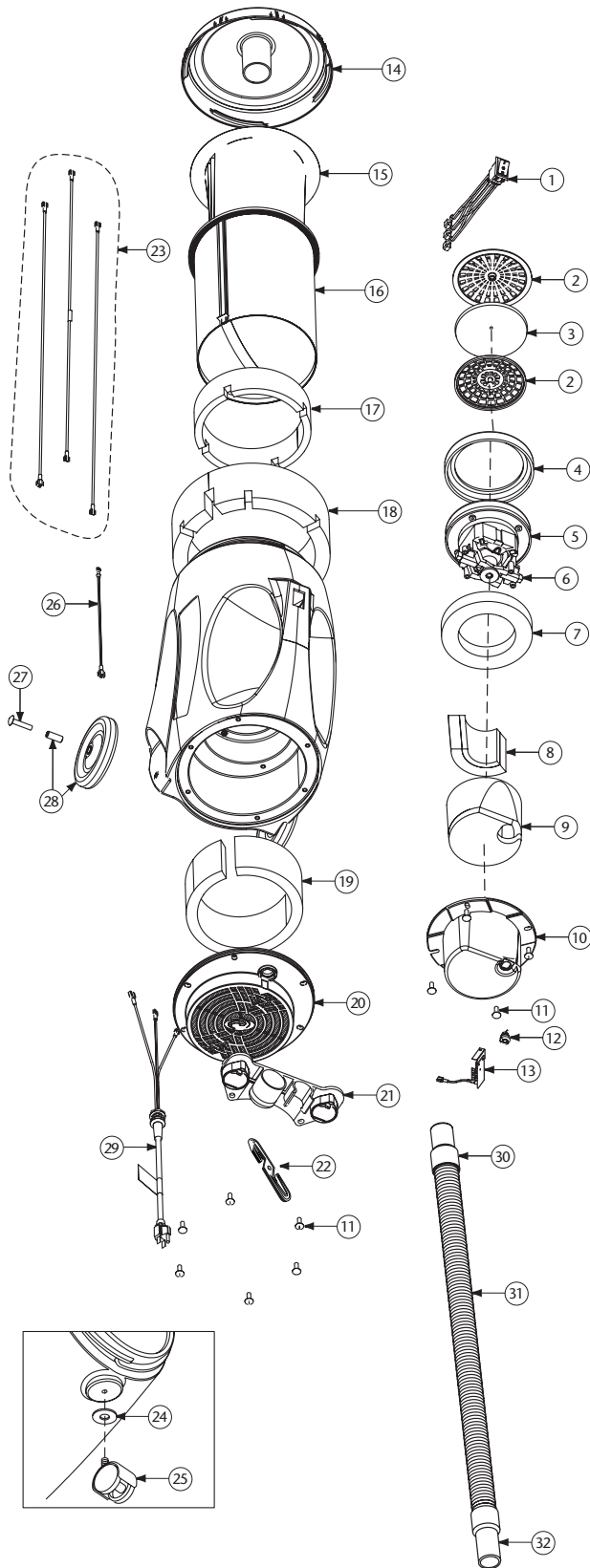
104544 Intercept Micro Filters, 10/pk (open collar) \$26.97

OPTIONAL CONFIGURATIONS

107151 w/Xover® Performance Telescoping Wand Tool Kit C (107099) \$760
107610 w/ProBlade® Carpet and Hard Surface Floor Tool Kit (107532) 830

Specification calculations are based on average motor performance.

QUIETPRO CN HEPA PARTS



No.	Product Name	Qty	List Price
1	105991 On/Off Switch (2 Stage)	1 ea.	\$ 24.71
2	102784 Dome Filter w/Filter Media	1 ea.	9.38
3	101949 Replacement Foam Media for Dome Filter	1 ea.	1.79
	102761 High Filtration Disk (Optional)	2/pk	12.86
4	103236 Motor Seal	1 ea.	7.81
5	106919 Motor/Fan (120V) w/Crimps (Ametek Motor)	1 ea.	114.97
6	105697 Carbon Brush Set (Domel Motor)	1 set	24.98
	106904 Carbon Brush Set (Ametek Motor) (122157-00)	1 set	24.98
7	105430 Upper Foam Compression Ring	1 ea.	17.26
8	105949 Noise Suppression Filter Assembly	1 ea.	25.03
9	105948 Noise Suppression Foam	1 ea.	14.20
10	103121 Motor Mount	1 ea.	25.28
11	103266 Motor Mount and Vented Exhaust Cover Screw Kit	1 set	6.95
12	102127 Small Strain Relief	1 ea.	.35
13	105653 Dual Speed Module and Schematic with Thermal Protector	1 ea.	75.63
14	103318 Black Top Cap	1 ea.	40.61
15	104544 Intercept Micro Filter	10/pk	26.97
16	103115 Micro Cloth Filter	1 ea.	36.78
17	103125 Foam Inlet Damper B	1 ea.	15.49
18	103124 Foam Inlet Damper A	1 ea.	37.81
19	103256 Rear Foam Diffuser	1 ea.	17.86
20	103638 Replacement HEPA Media Filter Kit and Mounting Screw (includes: 29)	1 set	147.30
21	103117 Tool Dock	1 ea.	23.45
22	842193 Cord Lock	1 ea.	8.59
23	106203 Wire Harness Assembly: 3 Wires and Strain Relief	1 set	27.05
24	103545 Conical Washer for Swivel Caster	1 set	5.14
25	103114 Swivel Caster	1 ea.	14.07
26	106107 Ground Jumper	1 ea.	11.50
27	103268 Rear Wheel Mounting Screw Kit: 2 Screws	1 set	3.59
28	103267 Rear Wheel Assembly Kit: 2 Wheels, 2 Spacers, 2 Screws	1 set	22.34
29	103215 Power Cord Assembly w/Locknut and Washer	1 ea.	22.66
30	100694 Replacement Swivel Cuff (Black) 1 1/2"	1 ea.	6.42
31	103172 78" Static Dissipating Hose w/Cuffs (Black) 1 1/2"	1 set	40.61
32	103150 Replacement Long Swivel Cuff (Black) 1 1/2"	1 ea.	13.32
	101678 50' Extension Cord (Not Shown)	1 ea.	40.02