



## ProTeam ProVac® CN

103220\* ProVac CN w/Restaurant Tool Kit (100727)

**\$679**

The ProVac CN meets the high demands of the foodservice industry by providing exceptional cleaning strength without belts, beater bars or brushes. A 10 qt. filter provides maximum cleaning ability.



### COST OF OWNERSHIP



### INDOOR AIR QUALITY



### DURABLE

### Specifications

Weight:	12 lbs./5.44 kg
Motor Airflow:	150 CFM
Static Lift:	100 in.
Motor:	1188 W/9.9 A
Decibel:	66 dBA
Capacity:	10 qt./11 L
ProLevel Filtration® w/Four Levels of Filtration:	1054 sq. in. total area

### Warranty

3 years parts, labor and motor on vacuum

Limited lifetime on molded body parts

### \*STANDARD CONFIGURATION

14" Hard Floor Tool w/Nylon Brush	14" Carpet Tool w/Scallops
Two-Piece Aluminum Wand w/ Button Lock	5" Upholstery Tool
10-pack Intercept Micro Filters	3" Dust Brush
Extra Micro Cloth Filter	11" Crevice Tool

### RELATED PRODUCTS

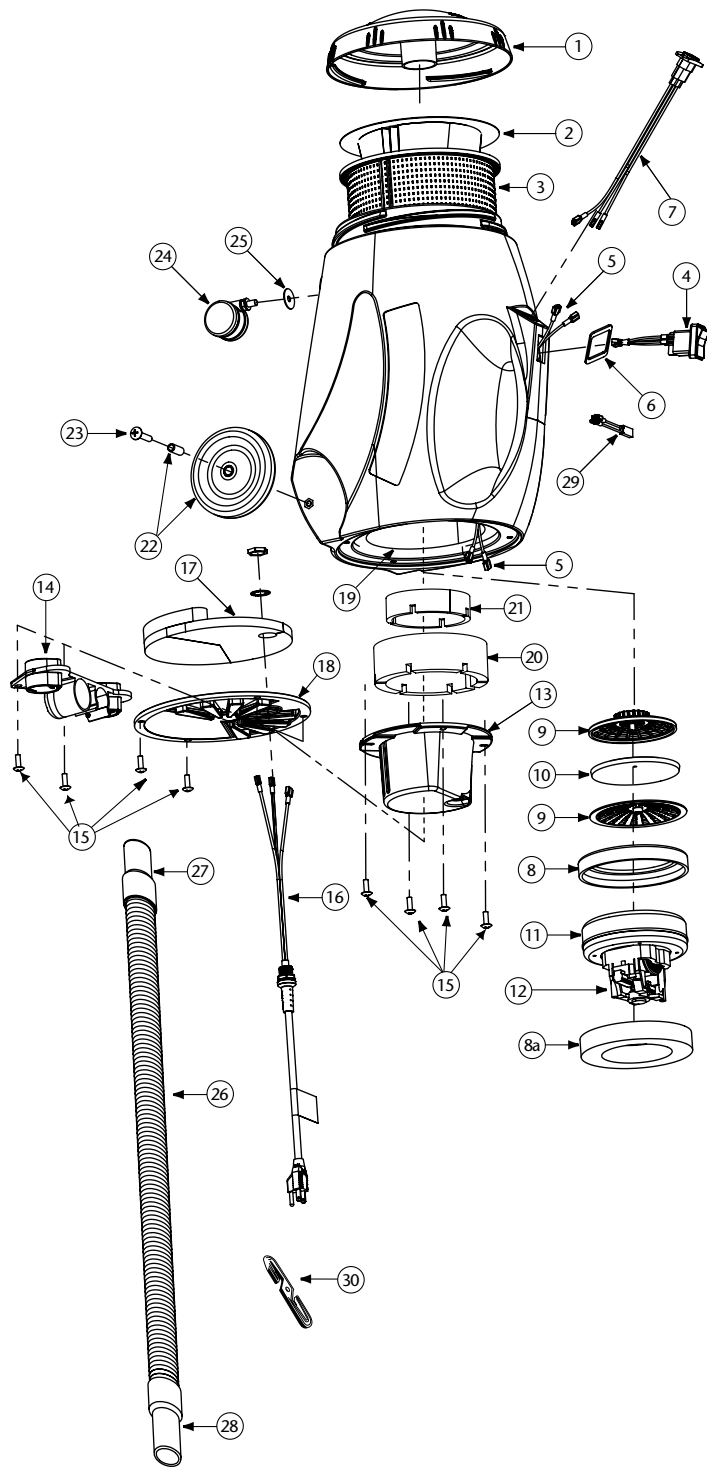
104544 Intercept Micro Filters, 10/pk (open collar)	\$24.97
---	---------

### OPTIONAL CONFIGURATIONS

107153 w/Xover® Performance Telescoping Wand Tool Kit C (107099)	\$639
--	-------

Specification calculations are based on average motor performance.

# RUNNINGVAC/PROVAC CN PARTS



No.	Product Name	Qty	List Price
1	103318 Top Cap, Black (ProVac CN)	1 ea.	\$ 36.15
	106889 Top Cap, Purple (RunningVac)	1 ea.	36.15
2	104544 Intercept Micro Filter	10/pk	24.97
3	103115 Micro Cloth Filter	1 ea.	32.73
4	103327 On/Off Switch	1 ea.	24.93
5	103212 Wire Harness Assembly: 3 Wires and Strain Relief	1 set	14.30
6	106110 Gasket	1 ea.	4.56
7	105047 Receptacle Assembly for Powerhead (ProVac CN Only)	1 ea.	12.99
8	103236 Motor Seal	1 ea.	6.95
8a	105430 Upper Foam Compression Ring	1 ea.	15.36
9	102784 Dome Filter w/Filter Media	1 ea.	8.35
10	101949 Replacement Foam Media for Dome Filter	1 ea.	1.59
	102761 High Filtration Disk (Optional)	2/pk	11.45
11	105687 Motor/Fan (120V)	1 ea.	125.12
12	105164 Carbon Brush Set (Domel Motor)	1 set	22.24
	101720 Carbon Brush Set (Ametek Motor)	1 set	22.24
13	103121 Motor Mount	1 ea.	22.50
14	103117 Tool Dock	1 ea.	20.87
15	103266 Motor Mount and Vented Exhaust Cover Screw Kit	1 set	6.19
16	103215 Power Cord Assembly w/Locknut and Washer	1 ea.	20.17
17	103123 Exhaust Foam	1 ea.	34.24
18	103360 Cover Assembly, Vented Exhaust	1 ea.	33.11
19	103256 Rear Foam Diffuser	1 ea.	15.90
20	103124 Foam Inlet Damper A	1 ea.	33.66
21	103125 Foam Inlet Damper B	1 ea.	13.78
22	103267 Rear Wheel Assembly Kit: 2 Wheels, 2 Spacers, 2 Screws	1 set	19.89
23	103268 Rear Wheel Mounting Screw Kit: 2 Screws	1 set	3.20
24	103114 Swivel Caster (Front Wheel)	1 ea.	12.52
25	103545 Conical Washer for Swivel Caster	1 set	4.58
26	103172 78" Static Dissipating Hose w/Cuffs (Black) 1½"	1 set	36.15
27	100694 Replacement Swivel Cuff (Black) 1½"	1 ea.	5.71
28	103150 Replacement Long Swivel Cuff (Black) 1½"	1 ea.	11.86
29	107294 Thermal Protector	1 ea.	15.25
30	842193 Cord Lock	1 ea.	7.64
	101678 50' Extension Cord (Not Shown)	1 ea.	35.62