



# ProTeam ProGuard® 15 / 20

**107359 ProGuard 15 w/107187 Tool Kit & Front Mount Squeegee**

**\$1,265**

**107360 ProGuard 20 w/107187 Tool Kit & Front Mount Squeegee**

**\$1,330**

The ProGuard 15/20 Wet / Dry Vacuums deliver high-powered performance and durability, including intuitive features that make it easier and more convenient to use. These units can help cleaning professionals respond quickly to any challenge big or small. An optional front mount squeegee system saves time, money and energy when stripping floors. Patented wheel configuration allows for increased maneuverability.



*ProGuard 15 Shown without Front Mount Squeegee.*



## Specifications

Motor Airflow:	105 CFM	
Static Lift:	95"	
Motor:	1380 W / 9.5 A	
Decibel:	69 dBA	
ProGuard Filter:	Polypropylene Screen	
Fine Dust Cartridge Filter:	1142 sq. in.	
Power Cord:	50', 14 AWG	

	15	20
Weight:	68 lbs. / 31 kg.	70 lbs. / 32 kg.
Tank size:	15 gallon / 57 L	20 gallon / 76 L

## Limited Warranty

- 3 years parts, labor and motor on vacuum
- Limited lifetime on molded body parts

### \*Standard Configuration

10' Vacuum Hose	Squeegee Tool
Two-Piece Wand	Crevice Tool
Nylon Floor Tool	Dust Brush

### Related Products

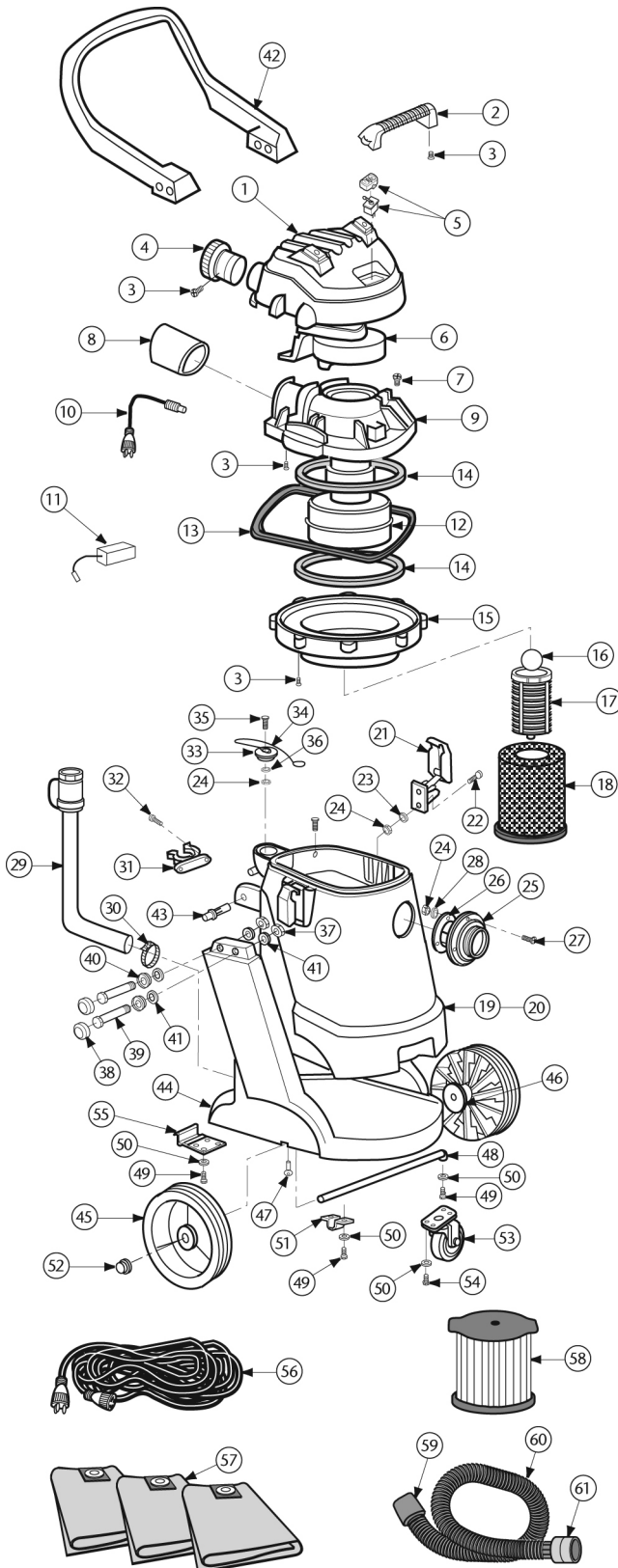
107180	Intercept Micro® Filters, 3/pk	\$46.40
107177	Qwik Lock Wet Filter	37.15
107175	Qwik Lock Fine Dust Cartridge Filter	37.15
107176	Qwik Lock Filter made from HEPA Media	46.45

### Optional Configurations

107131	ProGuard 20 w/Wet/Dry Tool Kit (107187) (no squeegee)	\$1,095.00
107130	ProGuard 15 w/Wet/Dry Tool Kit (107187) (no squeegee)	1,025.00
107185	Front Mount Squeegee	292.97

*Specification calculations are based on average motor performance.*

# PROGUARD 15 / 20 PARTS



No.	Product Name	Qty	List Price
1	510097 Motor Cover Assembly (ProGuard 15)	1 ea.	\$ 46.22
	510104 Motor Cover Assembly (ProGuard 20)	1 ea.	39.20
2	830565-2 Handle Motor Cover	1 ea.	3.45
3	820563-4 Screw Type AB #10 x 3/4"	1 ea.	0.71
4	833600 Diffuser Assembly	1 ea.	8.07
5	510127 Switch Assembly	1 set	9.39
6	831651 Motor Exhaust Duct	1 ea.	8.95
7	826453-2 Screw 10-32 X 3/4"	1 ea.	1.29
8	830609 Exhaust Foam Pad	1 ea.	2.99
9	831653-3 Lid	1 ea.	22.07
10	833417 Power Cord Assembly	1 ea.	32.12
11	822374-8 Carbon Brush Set	1 set	18.63
12	831567 Motor Assembly Complete	1 ea.	122.85
13	833518 Gasket Lid	1 ea.	15.89
14	827415 Gasket Motor	1 ea.	14.78
15	831659 Collector Assembly with Foam	1 ea.	13.59
16	833778 Ball Float	1 ea.	4.18
17	830101-1 Filter Cage	1 ea.	4.04
18	107177 Wet Filter	1 ea.	37.15
19	833603 20 Gallon Tank	1 ea.	278.28
20	833602 15 Gallon Tank	1 ea.	293.02
21	833424-1 Drum Latch	1 ea.	9.39
22	833492-1 Screw 10-32 X 3/4"	1 ea.	1.50
23	833493 Washer (13/64 ID) #10	1 ea.	1.49
24	161255-8 Nut Lock #10	1 ea.	1.42
25	833425 Tank Inlet Adapter	1 ea.	4.32
26	833426 Gasket Inlet Adapter	1 ea.	2.62
27	833492 Screw 10-32 X 1 1/4"	1 ea.	2.08
28	833493 Washer (13/64 ID) #10	1 ea.	1.49
29	833451 Hose Drain Assembly 30" (includes: 30)	1 ea.	32.49
30	833452 Hose Clamp	1 ea.	5.05
31	826881 Hose Clip	1 ea.	1.64
32	808872-2 Screw 10-32 X 1 1/4"	1 ea.	1.42
33	833449 Cap Rubber Drum Pour Spout	1 ea.	6.46
34	833450 Pour Spout Cable Lanyard	1 ea.	9.03
35	833492 Screw 10-32 X 1 1/4"	1 ea.	2.08
36	833493 Washer (13/64 ID) #10	1 ea.	1.49
37	161255-2 Nut Lock 3/8-16	1 ea.	1.20
38	100371 Cap	1 ea.	1.04
39	832397-1 Screw Hex 3/8-16 X 3 3/4"	1 ea.	6.54
40	833779 Cap Retainer	1 ea.	1.64
41	805557-1 Washer 13/32 ID	1 ea.	1.58
42	833465 Cart Base Handle	1 ea.	160.92
43	833454 Drum Hinge Bushing	1 ea.	2.53
44	833456 Cart Base	1 ea.	329.79
45	833459 10" Wheel	1 ea.	20.10
46	833460 Wheel Spacer	1 ea.	2.89
47	833662 Thumb Screw	1 ea.	3.50
48	831024-3 Shaft Tube	1 ea.	7.33
49	805466-3 Screw Hex HD 5/16-18 X 5/8"	1 ea.	1.29
50	140755-12 Lock Washer Ext 5/16"	1 ea.	1.13
51	833461 Axle Bracket	1 ea.	4.18
52	813836-1 Nut Washer Cap	1 ea.	1.58
53	833462 4" Caster w/Bearings	1 ea.	24.91
54	805466-3 Screw Hex HD 5/16-18 X 5/8"	1 ea.	1.29
55	833463 Plate Pedal Lock	1 ea.	9.86
56	833432 50' Extension Cord	1 ea.	96.13
57	107180 Intercept Micro Filter	3/pk	46.40
58	107175 Qwik Lock Fine Dust Filter	1 ea.	37.15
59	831577 Swivel Hose Cuff 1 1/2"	1 ea.	5.43
60	107198 Hose Assembly	1 ea.	61.79
61	833587 Locking Ring Cuff	1 ea.	12.43
	510142 Bag of Loose Parts (Not Shown)	1 set	15.80
	(includes: 37-41)		