



# ProTeam ProGuard® 4 Portable

107128 ProGuard 4 Portable w/4 Gallon Tool Kit (107184)  
**\$350**

Power and versatility come together in the portable ProGuard 4 Wet / Dry Vacuum. For emergency spills, detail cleaning and portable jobsite maintenance, there's no better choice for true wet / dry vacuum performance in an easy-to-carry package.



## Specifications

Motor:	1080 W / 9.0 A
Motor Airflow:	142 CFM
Static Lift:	51"
Tank Size:	4 gallon / 15.2 L
Weight:	12 lbs. / 5.5 kg.
Decibel:	76 dBA
Fine Dust Cartridge Filter:	903 sq. in.
Power Cord:	20', 18 AWG

## Standard Configuration

- 10' Vacuum Hose
- Two-Piece Wand
- Master Floor Tool
- Carpet Insert
- Hard Surface Insert
- Squeegee Insert
- Crevice Tool
- Dust Brush
- Claw Nozzle

## Related Products

107182 Intercept Micro® Filters, 3/pk	\$23.65
107178 Qwik Lock Fine Dust Cartridge Filter	28.61

## Recommended Applications

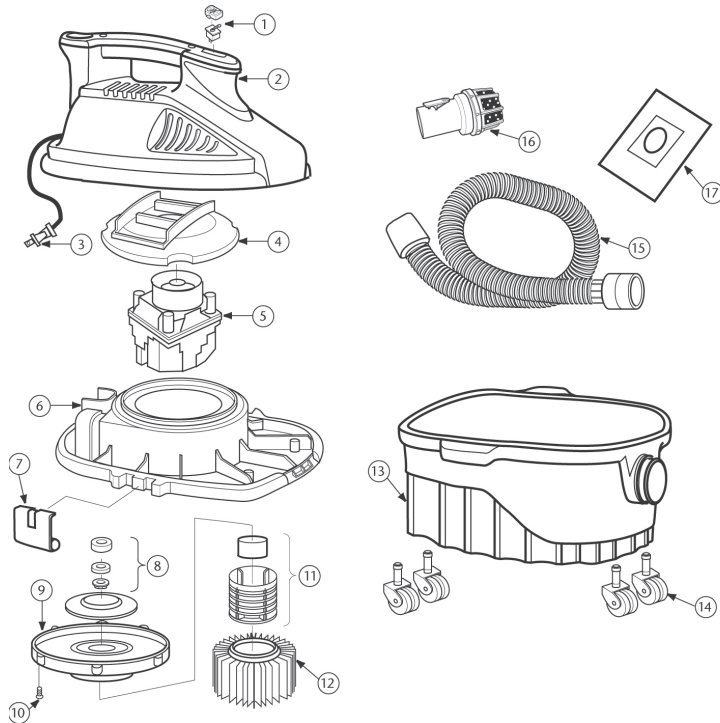
- Emergency Spills
- Spot Cleaning
- Jobsite Maintenance
- Flooding
- Day porters

## Limited Warranty

- 3 years on parts and labor
- 1 year on vacuum motor
- Limited lifetime on molded body parts

Specification calculations are based on average motor performance.

# PROGUARD 4 PORTABLE PARTS



No.	Product Name	Qty	List Price
1	510224 Switch and Switch Cover	1 ea.	\$ 5.80
2	510225 Motor Cover and Top Handle	1 ea.	45.64
3	829719-4 Cord Assembly	1 ea.	15.71
4	830519 Exhaust Duct	1 ea.	14.42
5	509776-19 Motor Assembly	1 ea.	90.84
6	830520-2 Lid	1 ea.	53.38
7	826387 Tank Latch	1 ea.	10.50
8	510124 Blower Wheel, Washer, Spacer, Nut	1 ea.	7.22
9	832656-1 Plate Collector	1 ea.	13.45
10	820563-4 Screw, Type AB #10 x 3/4"	1 ea.	0.73
11	510108 Filter Cage and Float Assembly	1 ea.	8.66
12	107178 Qwik Lock Fine Dust Cartridge Filter	1 ea.	28.61
13	510106 Tank (with Inlet)	1 ea.	21.86
14	510109 Casters	4/pk	8.79
15	831337-6 Premium Hose Assembly	1 ea.	61.87
16	830098 Diffuser	1 ea.	7.60
17	107182 Intercept Micro Filter Bag (optional)	3/pk	23.65