

ProTeam ProGuard® 10

107129 ProGuard 10 w/ Wet / Dry Tool Kit (107187)

\$710

The ProGuard 10 Wet / Dry Vacuum offers durable construction and powerful performance. With a heavy duty, 2-stage motor and commercial grade tools and hose, the ProGuard 10 will keep working even in the toughest environments.



ProTeam ProGuard® 16 MD

107386 ProGuard 16 MD w/Wet / Dry Tool Kit (107187)

\$700

ProTeam's ProGuard 16 MD Wet / Dry Vacuum is an excellent tool for smaller challenges like weather-related messes or bigger ones like capturing dust and debris at construction sites. And, its compact size, removable handle and convenient tool bag allow for easy storage and efficient performance.



Specifications

Motor Airflow:	105 CFM
Static Lift:	95"
Motor:	1380 W / 9.5 A
ProGuard Filter:	Polypropylene Screen
Fine Dust Cartridge Filter:	1142 sq. in.
Power Cord:	50', 14 AWG

Standard Configuration

- 10' Vacuum Hose
- Two-Piece Wand
- Nylon Floor Tool
- Carpet Insert
- Squeegee Insert
- Crevice Tool
- Dust Brush

ProGuard 10

ProGuard 16

Weight:	28 lbs. / 12.7 kg.	29 lbs. / 13.2kg.
Decibel:	68 dBA	66 dBA
Tank size:	10 gallon / 38 L	16 gallon / 60.6 L

Limited Warranty

- 3 years parts, labor and motor on vacuum
- Limited lifetime on molded body parts

Related Products

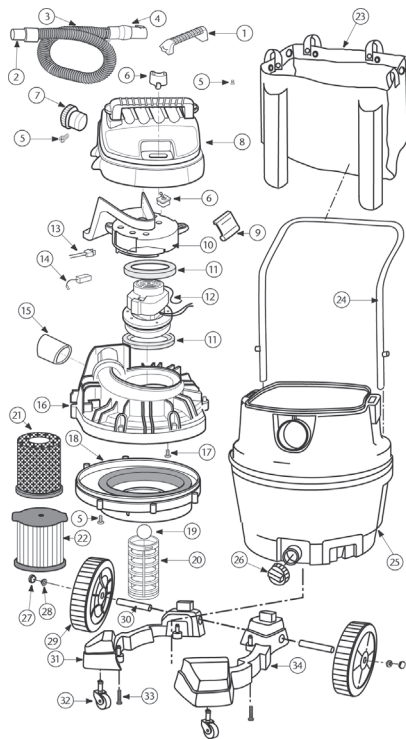
107181	ProGuard 10 Intercept Micro® Filters, 3/pk	\$31.96
107177	Qwik Lock Wet Filter	38.16
107175	Qwik Lock Fine Dust Cartridge Filter	38.16
107176	Qwik Lock Filter made from HEPA Media	47.71

Recommended Applications

- Retail
- Emergency/Floor Cleaning
- Hard Floor/Refinishing
- Manufacturing

Specification calculations are based on average motor performance.

PROGUARD 16 MD PARTS



No.	Product Name	Qty	List Price
1	830565-2	Handle Motor Cover	1 ea. \$ 3.55
2	831577	Swivel Hose Cuff	1 ea. 5.58
3	831337-6	Hose Assembly w/Cuffs	1 ea. 61.87
4	829900	Locking Ring Cuff	1 ea. 6.80
5	820563-4	Screw Type AB #10 x 3/4"	1 ea. 0.73
6	510127	Switch Assembly	1 ea. 9.65
7	833600	Diffuser Assembly	1 ea. 8.29
8	510286	Motor Cover Assembly	1 ea. 53.72
9	826387	Drum Latch	1 ea. 10.50
10	831651	Duct Motor Exhaust/Cooling Fan	1 ea. 9.20
11	827415	Gasket Motor	1 ea. 15.18
12	831567	Motor Assembly Complete	1 ea. 126.17
13	831657-1	Power Cord Assembly	1 ea. 88.09
14	822374-8	Carbon Brush Set	1 set 19.14
15	830609	Exhaust Foam Pad	1 ea. 3.08
16	831653-1	Lid	1 ea. 28.32
17	826453-2	Screw 10-32 x 3/4"	1 ea. 1.33
18	831659	Collector Assembly	1 ea. 13.96
19	833778	Ball Float	1 ea. 4.30
20	830101-1	Filter Cage	1 ea. 4.15
21	107177	Quick Lock Wet Filter	1 ea. 38.16
22	107175	Qwik Lock Fine Dust Cartridge Filter	1 ea. 38.16
23	831668-1	Tote	1 ea. 23.84
24	830686	Handle	1 ea. 29.58
25	831660-2	Dust Drum Assembly	1 ea. 67.13
26	73185	Drain Cap	1 ea. 11.03
27	830611	Wheel Cap	1 ea. 2.03
28	813836-1	Cap Nut 1/2"	1 ea. 1.63
29	832190	8" Wheel Assembly (includes: 27, 28)	1 ea. 20.65
30	831024	Shaft	1 ea. 14.66
31	830577	Left Caddy	1 ea. 21.57
32	832123	Caster	1 ea. 18.98
33	820563-5	Screw Type "AB" #10 x 1-3/4"	1 ea. 1.62
34	830576	Right Caddy	1 ea. 18.45
	509944	Bag of Loose Parts (Not Shown) (includes: 27, 28, 32, 33)	1 kit 30.21