

# ProTeam ProGuard® 10

107129 ProGuard 10 w/ Wet / Dry Tool Kit (107187)

**\$700**

The ProGuard 10 Wet / Dry Vacuum offers durable construction and powerful performance. With a heavy duty, 2-stage motor and commercial grade tools and hose, the ProGuard 10 will keep working even in the toughest environments.



# ProTeam ProGuard® 16 MD

107386 ProGuard 16 MD w/Wet / Dry Tool Kit (107187)

**\$690**

ProTeam's ProGuard 16 MD Wet / Dry Vacuum is an excellent tool for smaller challenges like weather-related messes or bigger ones like capturing dust and debris at construction sites. And, its compact size, removable handle and convenient tool bag allow for easy storage and efficient performance.



## Specifications

Motor Airflow:	105 CFM
Static Lift:	95"
Motor:	1380 W / 9.5 A
ProGuard Filter:	Polypropylene Screen
Fine Dust Cartridge Filter:	1142 sq. in.
Power Cord:	50', 14 AWG

### ProGuard 10

### ProGuard 16

Weight:	28 lbs. / 12.7 kg.	29 lbs. / 13.2kg.
Decibel:	68 dBA	66 dBA
Tank size:	10 gallon / 38 L	16 gallon / 60.6 L

## Related Products

107181	ProGuard 10 Intercept Micro® Filters, 3/pk	\$31.96
107177	Qwik Lock Wet Filter	37.15
107175	Qwik Lock Fine Dust Cartridge Filter	37.15
107176	Qwik Lock Filter made from HEPA Media	46.45

## Standard Configuration

- 10' Vacuum Hose
- Two-Piece Wand
- Nylon Floor Tool
- Carpet Insert
- Squeegee Insert
- Crevice Tool
- Dust Brush

## Limited Warranty

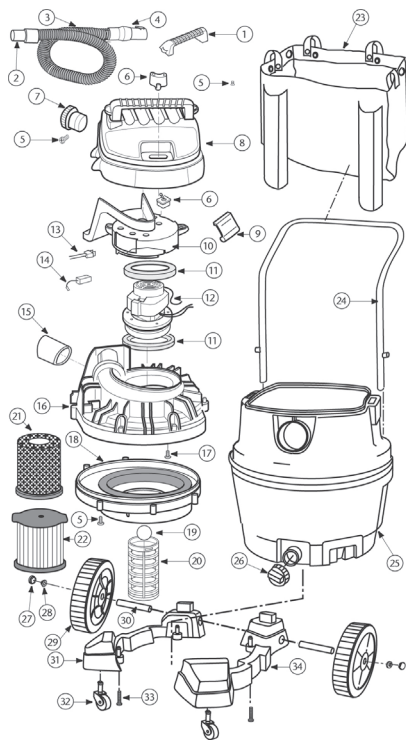
- 3 years parts, labor and motor on vacuum
- Limited lifetime on molded body parts

## Recommended Applications

- Retail
- Emergency/Floor Cleaning
- Hard Floor/Refinishing
- Manufacturing

Specification calculations are based on average motor performance.

# PROGUARD 16 MD PARTS



No.	Product Name	Qty	List Price
1	830565-2 Handle Motor Cover	1 ea.	\$ 3.45
2	831577 Swivel Hose Cuff	1 ea.	5.43
3	831337-6 Hose Assembly w/Cuffs	1 ea.	60.24
4	829900 Locking Ring Cuff	1 ea.	6.62
5	820563-4 Screw Type AB #10 x 3/4"	1 ea.	0.71
6	510127 Switch Assembly	1 ea.	9.39
7	833600 Diffuser Assembly	1 ea.	8.07
8	510286 Motor Cover Assembly	1 ea.	52.30
9	826387 Drum Latch	1 ea.	10.22
10	831651 Duct Motor Exhaust/Cooling Fan	1 ea.	8.95
11	827415 Gasket Motor	1 ea.	14.78
12	831567 Motor Assembly Complete	1 ea.	122.85
13	831657-1 Power Cord Assembly	1 ea.	85.77
14	822374-8 Carbon Brush Set	1 set	18.63
15	830609 Exhaust Foam Pad	1 ea.	2.99
16	831653-1 Lid	1 ea.	27.57
17	826453-2 Screw 10-32 x 3/4"	1 ea.	1.29
18	831659 Collector Assembly	1 ea.	13.59
19	833778 Ball Float	1 ea.	4.18
20	830101-1 Filter Cage	1 ea.	4.04
21	107177 Quick Lock Wet Filter	1 ea.	37.15
22	107175 Qwik Lock Fine Dust Cartridge Filter	1 ea.	37.15
23	831668-1 Tote	1 ea.	23.21
24	830686 Handle	1 ea.	28.80
25	831660-2 Dust Drum Assembly	1 ea.	65.36
26	73185 Drain Cap	1 ea.	10.74
27	830611 Wheel Cap	1 ea.	1.97
28	813836-1 Cap Nut 1/2"	1 ea.	1.58
29	832190 8" Wheel Assembly (includes: 27, 28)	1 ea.	20.10
30	831024 Shaft	1 ea.	14.27
31	830577 Left Caddy	1 ea.	21.00
32	832123 Caster	1 ea.	18.48
33	820563-5 Screw Type "AB" #10 x 1-3/4"	1 ea.	1.57
34	830576 Right Caddy	1 ea.	17.96
	509944 Bag of Loose Parts (Not Shown) (includes: 27, 28, 32, 33)	1 kit	29.41