

ProTeam ProGuard® 10

107129 ProGuard 10 w/ Wet / Dry Tool Kit (107187)

\$710

The ProGuard 10 Wet / Dry Vacuum offers durable construction and powerful performance. With a heavy duty, 2-stage motor and commercial grade tools and hose, the ProGuard 10 will keep working even in the toughest environments.



ProTeam ProGuard® 16 MD

107386 ProGuard 16 MD w/Wet / Dry Tool Kit (107187)

\$700

ProTeam's ProGuard 16 MD Wet / Dry Vacuum is an excellent tool for smaller challenges like weather-related messes or bigger ones like capturing dust and debris at construction sites. And, its compact size, removable handle and convenient tool bag allow for easy storage and efficient performance.



Specifications

Motor Airflow:	105 CFM
Static Lift:	95"
Motor:	1380 W / 9.5 A
ProGuard Filter:	Polypropylene Screen
Fine Dust Cartridge Filter:	1142 sq. in.
Power Cord:	50', 14 AWG

Standard Configuration

- 10' Vacuum Hose
- Two-Piece Wand
- Nylon Floor Tool
- Carpet Insert
- Squeegee Insert
- Crevice Tool
- Dust Brush

ProGuard 10

ProGuard 16

Weight:	28 lbs. / 12.7 kg.	29 lbs. / 13.2kg.
Decibel:	68 dBA	66 dBA
Tank size:	10 gallon / 38 L	16 gallon / 60.6 L

Limited Warranty

- 3 years parts, labor and motor on vacuum
- Limited lifetime on molded body parts

Related Products

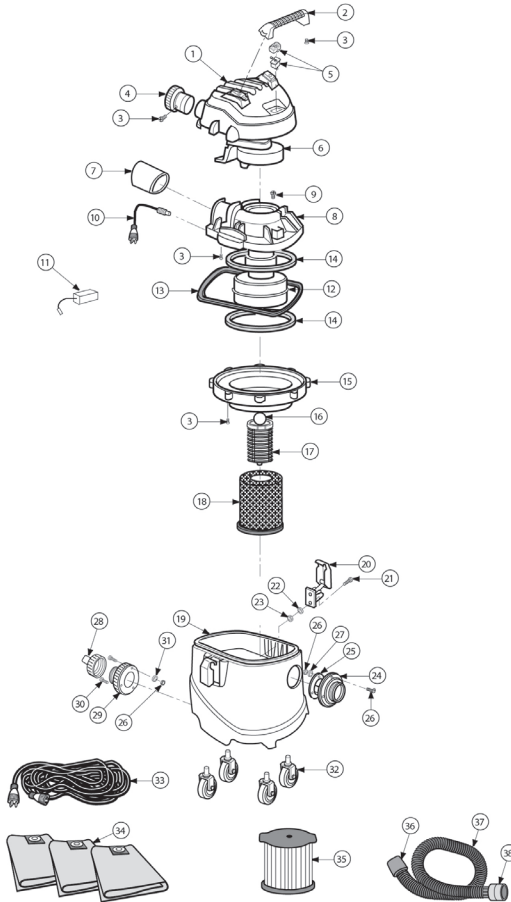
107181	ProGuard 10 Intercept Micro® Filters, 3/pk	\$31.96
107177	Qwik Lock Wet Filter	38.16
107175	Qwik Lock Fine Dust Cartridge Filter	38.16
107176	Qwik Lock Filter made from HEPA Media	47.71

Recommended Applications

- Retail
- Emergency/Floor Cleaning
- Hard Floor/Refinishing
- Manufacturing

Specification calculations are based on average motor performance.

PROGUARD 10 PARTS



No.	Product Name	Qty	List Price
1	510094 Motor Cover Assembly	1 ea.	\$ 50.73
2	830565-2 Handle Motor Cover	1 ea.	3.55
3	820563-4 Screw Type AB #10 x 3/4"	1 ea.	0.73
4	833600 Diffuser Assembly	1 ea.	8.29
5	510127 Switch Assembly	1 ea.	9.65
6	831651 Duct Motor Exhaust/Cooling Fan	1 ea.	9.20
7	830609 Exhaust Foam Pad	1 ea.	3.08
8	831653-3 Lid with Foam	1 ea.	22.67
9	826453-2 Screw 10-32 x 3/4"	1 ea.	1.33
10	833417 Power Cord Assembly	1 ea.	32.99
11	822374-8 Carbon Brush Set	1 set	19.14
12	831567 Motor Assembly Complete	1 ea.	126.17
13	833518 Gasket Lid	1 ea.	16.32
14	827415 Gasket Motor	1 ea.	15.18
15	831659 Collector Assembly	1 ea.	13.96
16	833778 Ball Float	1 ea.	4.30
17	830101-1 Filter Cage	1 ea.	4.15
18	107177 Wet Filter	1 ea.	38.16
19	833601 Tank, 10 Gallon	1 ea.	292.76
20	833424-1 Drum Latch	1 ea.	9.65
21	833492-1 Screw 10-32 x 3/4"	1 ea.	1.55
22	833493 Washer (13/64 ID) #10	1 ea.	1.54
23	161255-8 Nut Lock #10	1 ea.	1.46
24	833425 Tank Inlet Adapter	1 ea.	4.44
25	833426 Gasket Inlet Adapter	1 ea.	2.70
26	833492 Screw 1-32 x 1 1/4"	1 ea.	2.14
27	833493 Washer (13/64 ID) #10	1 ea.	1.54
28	73185 Drain Cap	1 ea.	11.03
29	833429 Drain Adapter with Gasket	1 ea.	11.25
30	833492-2 Screw 1-32 x 1 3/8"	1 ea.	1.79
31	833493 Washer (13/64 ID) #10	1 ea.	1.54
32	833431 Caster 3"	1 ea.	13.79
33	833432 50' Extension Cord	1 ea.	98.73
34	107181 Intercept Micro Filter	3/pk	31.96
35	107175 Qwik Lock Fine Dust Filter	1 ea.	38.16
36	831577 Swivel Hose Cuff	1 ea.	5.58
37	107198 Hose Assembly	1 ea.	63.46
38	833587 Locking Ring Cuff	1 ea.	12.77