



CERTIFIED  
SILVER



# ProTeam ProGen® 12 / 15

107329 ProGen 12 **\$665**

107330 ProGen 15 **\$745**

The ProGen 12/15 has the added performance and features to make it an instant hit with cleaning professionals. Choose 12" or 15" width for productivity in a variety of applications. The increased maneuverability, animated dashboard display and patented Snap Lock Lid make this an upright like no other.

Ergonomic lightweight handle provides comfortable operation while the quick change cord feature and the user's ability to reach clogs in four easy access points provide quick and easy maintenance.



## Specifications

Weight: **ProGen 12:** 17 lbs. / 7.71 kg. | **ProGen 15:** 18 lbs. / 8.17 kg.

Handle Weight: 2.7 lbs. / 1.22 kg.

Motor Airflow: 100 CFM

Static Lift: 93 in.

Motor: 1100 W / 9.8 A

Decibel: 69 dBA

Capacity: 3.25 qt. / 3 L

ProLevel Filtration® w/Three Levels of Filtration: 236 sq. in. total area

Cord length: **ProGen 12:** 40' | **ProGen 15:** 50'

### \*ProLevel Filtration System with HEPA Media

- **ProGen 12:** captures 97.44% at 0.3-.5 microns per ASTM F3150
- **ProGen 15:** captures 98.36% at 0.3-.5 microns per ASTM F3150

### Limited Warranty

- 3 years parts, labor, motor and molded body parts (except for wear items)



EASY TO USE



LAYS FLAT



HANDLE  
WEIGHT

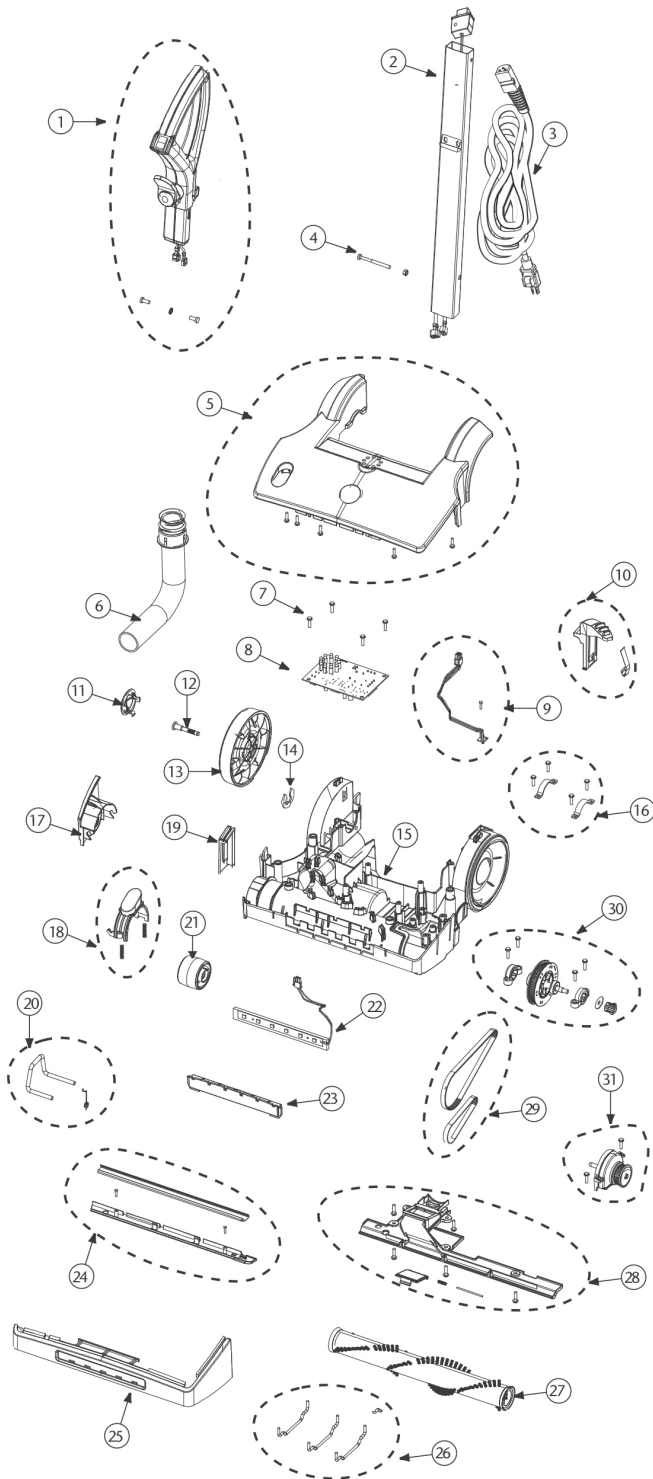
## Related Products

107377 Intercept Micro® Filters, 10/pk

\$25.99

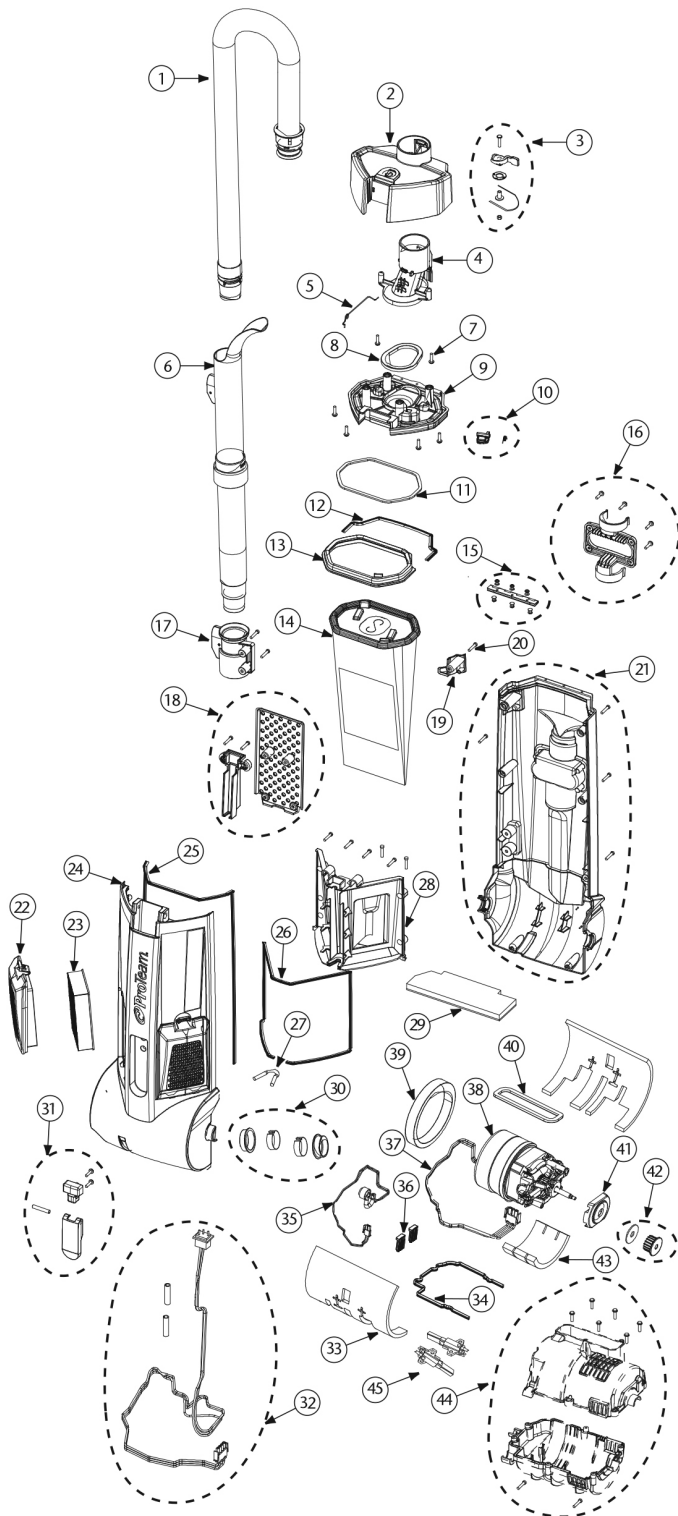
\*The filtration value of ProTeam's ProLevel Filtration System in this vacuum is achieved by the use of a multi-stage filtration system, including intercept micro filter, micro cloth filter, plastic cage with foam filter, and post-motor filter made from HEPA media, as tested per ASTM F3150. Specification calculations are based on average motor performance.

# PROGEN 12 / 15 PARTS



No.	Product Name	Qty	List Price
1	842344 Handle Assembly	1 set	\$26.25
2	842345 Handle Tube Assembly	1 ea.	29.28
3	834740-1 15" Power Cord w/Strain Relief 50'	1 ea.	63.14
	834740 12" Power Cord w/Strain Relief 40'	1 ea.	51.70
4	835701 Handle Screw Nut Assembly	1 ea.	1.85
5	835686 15" Base Cover Assembly	1 set	33.37
	835707 12" Base Cover Assembly	1 set	31.62
6	510252 Hose Power Head Assembly	1 ea.	5.65
7	835345 Washer Pan Screw M4	1 ea.	2.99
8	834797 Main Control Board	1 ea.	95.97
9	835683 Control Board Hall Effect Assembly	1 set	8.94
10	835676 15" Foot Pedal Assembly	1 set	3.98
	835702 12" Foot Pedal Assembly	1 set	3.70
11	834788 Cap Button	1 ea.	2.44
12	834789 15" Rear Wheel Shaft	1 ea.	3.04
13	834787 15" Rear Wheel	1 ea.	14.50
	836630 12" Rear Wheel	1 ea.	8.13
14	834790 Retaining Ring	1 ea.	1.61
15	834804 15" Power Nozzle Base	1 ea.	53.33
	836627 12" Base Assembly (includes: 10)	1 ea.	40.72
16	835684 Filter Housing Clamp Assembly	1 set	2.57
17	835350 15" Brush Removal Cover Assembly	1 ea.	5.51
	835352 12" Brush Removal Cover Assembly	1 ea.	5.41
18	835682 15" Brush Release Button Assembly	1 set	3.04
	835705 12" Brush Release Button Assembly	1 set	2.90
19	834810 15" Side Base Bumper	1 ea.	2.99
	835036 12" Side Base Bumper	1 ea.	3.10
20	835675 Center Wheel Pivot Rod Assembly	1 set	3.22
21	834791 Center Wheel	1 ea.	4.18
22	835349 LED Strip Light Harness Assembly	1 ea.	15.38
23	834816 LED Strip Light Lens	1 ea.	2.69
24	835680 15" Front Base Plate Assembly	1 set	8.25
	835703 12" Front Base Plate Assembly	1 set	7.41
25	834809 15" Front Base Bumper	1 ea.	9.12
	835035 12" Front Base Bumper	1 ea.	7.11
26	835679 Base Wire Brace	1 set	3.56
27	841818 15" Brush Roller	1 ea.	20.10
	841817 12" Brush Roller	1 ea.	19.22
28	835681 15" Rear Base Plate Assembly	1 set	4.69
	835704 12" Rear Base Plate Assembly	1 set	4.40
29	835678 Timing Belt Assembly	1 set	26.30
30	835685 15" Pulley Assembly	1 set	16.26
	835706 12" Pulley Assembly	1 set	13.33
31	835677 Brush Roller Clutch Assembly	1 set	39.93

# PROGEN 12 / 15 PARTS



No.	Product Name	Qty	List Price
1	510259 Hose Assembly	1 ea.	\$19.22
2	835354 Filter Cover Assembly	1 ea.	7.69
3	835696 Filter Lid Cam Lock Assembly	1 set	10.02
4	834688 Upright Transition Duct Assembly	1 ea.	5.04
5	834753 Filter Housing Spring Hose	1 ea.	1.91
6	510258 Extension Tube Assembly	1 ea.	8.59
7	835345 Washer Pan Screw M4	1 ea.	2.99
8	834691 Transition Duct Gasket	1 ea.	2.39
9	834687 Bag Cover Housing Plate	1 ea.	6.11
10	835697 Bag Cover Housing Interlock Assembly	1 ea.	1.97
11	834690 Bag Cover Gasket Plate	1 ea.	2.81
12	834730-3 Lid Rear Tree Gasket	1 ea.	1.80
13	834823 Bag Housing Rim	1 ea.	2.90
14	107377 Intercept Micro Filter,10 pack	10/pk	25.99
15	835698 Hinge with Rivet Assembly	1 set	7.23
16	835694 Carry Handle w/Tool Caddy Assembly	1 set	3.51
17	835351 Power Nozzle Adaptor Hose	1 set	4.40
18	835690 Filter Housing Harness Enclosure Assembly	1 set	4.10
19	834724 Extension Handle Clip	1 ea.	2.08
20	835358 Pan Screw M4 20mm	1 ea.	4.18
21	835693 Rear Bag Housing Assembly	1 set	25.13
22	834717 Exhaust Filter Cover	1 ea.	7.53
23	107005 Exhaust Filter made from HEPA Media	1 ea.	8.55
24	835687 15" Front Bag Housing	1 ea.	24.17
	835708 12" Front Bag Housing	1 ea.	24.17
25	834730 Bag Housing Tree Gasket	1 ea.	2.81
26	834730-1 Filter Housing Tree Gasket	1 ea.	2.27
27	835150 Filter Housing Gasket Separator	1 ea.	1.61
28	834718 Filter Housing Separator	1 ea.	9.89
29	834721 Motor Intake Filter	1 ea.	2.22
30	835695 Bag Housing Pivot Sleeve Assembly	1 set	3.47
31	835688 Lower Cord Wrap Bracket Assembly	1 set	3.38
32	835689 Filter Housing Harness Assembly	1 set	12.08
33	834722 Foam Filter Housing	1 ea.	3.86
34	834730-2 Motor Housing Tree Gasket	1 ea.	1.91
35	834723 Bag Full Indicator Sensor	1 ea.	11.85
36	840042 Motor Support Gasket	1 ea.	2.39
37	835344 Motor Harness	1 ea.	7.41
38	834705 Motor Assembly (includes: 45)	1 ea.	124.36
39	834696 Blower Gasket Housing	1 ea.	4.18
40	834697 Inlet Motor Gasket	1 ea.	2.39
41	834701 Motor Mount Gasket	1 ea.	3.38
42	835692 Motor Pulley Assembly	1 set	2.86
43	834704 Foam Motor Housing	1 ea.	2.03
44	835691 Motor Housing Assembly	1 set	26.30
45	835714 Motor Brush	1 ea.	20.91