



CERTIFIED GOLD



GoFit 6

GoFit 6 PLUS



ERGONOMIC



QUICK ADJUST HARNESS



FILTER INDICATOR LIGHT

*GoFit 6 PLUS Only

*Standard Configuration

14" Xover Floor Tool	3" Dust Brush
Telescoping Wand	17" Crevice Tool
5" Upholstery Tool	

Related Products

107314 Intercept Micro® Filters, 10/pk (open collar)	\$22.58
107374 Intercept Micro Filters, 10/pk (closed collar)	28.59

GoFit 6 Optional Configurations

107697 w/Xover® Two-Piece Wand Tool Kit B (107098)	\$710
107698 w/ProBlade® Carpet Floor Tool Kit (107530)	710
107699 w/ProBlade Carpet and Hard Surface Floor Tool Kit (107532)	785
107700 w/15" Carpet Sidewinder® Kit A (106820)	725
107701 w/18" Carpet Sidewinder Kit B (106841)	755
107702 w/15" Carpet and Hard Surface Sidewinder Kit C (107463)	795
107703 w/Remediation Kit (107466)	775
107704 w/Pest Management Tool Kit (103439)	935
107736 w/Xover Performance Telescoping Wand Tool Kit C (107099)	710
107749 w/Two-Piece Wand (101338) and Xover Tool (107016)	685
107750 w/Telescoping Wand (107628) and Xover Tool (107016)	690

GoFit 6 PLUS Optional Configurations

107706 w/Xover Two-Piece Wand Tool Kit B (107098)	\$750
107707 w/ProBlade Carpet Floor Tool Kit (107530)	750
107708 w/ProBlade Carpet and Hard Surface Floor Tool Kit (107532)	825
107709 w/15" Carpet Sidewinder Kit A (106820)	770
107710 w/18" Carpet Sidewinder Kit B (106841)	795
107711 w/15" Carpet and Hard Surface Sidewinder Kit C (107463)	835
107712 w/Remediation Kit (107466)	815
107737 w/Xover Performance Telescoping Wand Tool Kit C (107099)	750

ProTeam GoFit® 6 / GoFit 6 PLUS

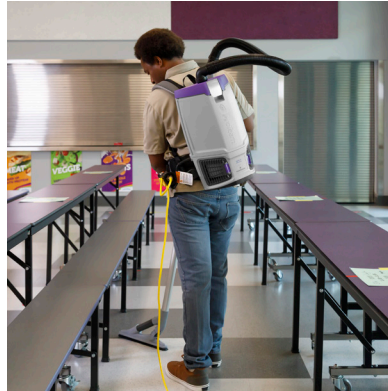
107696* GoFit 6 w/Xover Telescoping Wand Kit D (107100)

\$710

107705* GoFit 6 PLUS w/Xover Telescoping Wand Kit D (107100)

\$750

ProTeam's commercial backpack vacuum products include the GoFit 6 and the GoFit 6 PLUS. Both offer unparalleled productivity and comfort experienced in the quick-adjust harness and high-level filtration. And, unique to the 6 PLUS is a filter change indicator light that shows when there's a clog or when the filter needs to be checked/changed.



Specifications

Weight:	12 lbs. / 5.44 kg.
Motor Airflow:	153 CFM
Static Lift:	91 in.
Motor:	1330 W / 11.7 A
Decibel:	67.9 dBA
Capacity:	6 qt. / 6.6 L
ProLevel Filtration® w/Four Levels of Filtration:	1054 sq. in. total area

**ProLevel Filtration System with HEPA Media

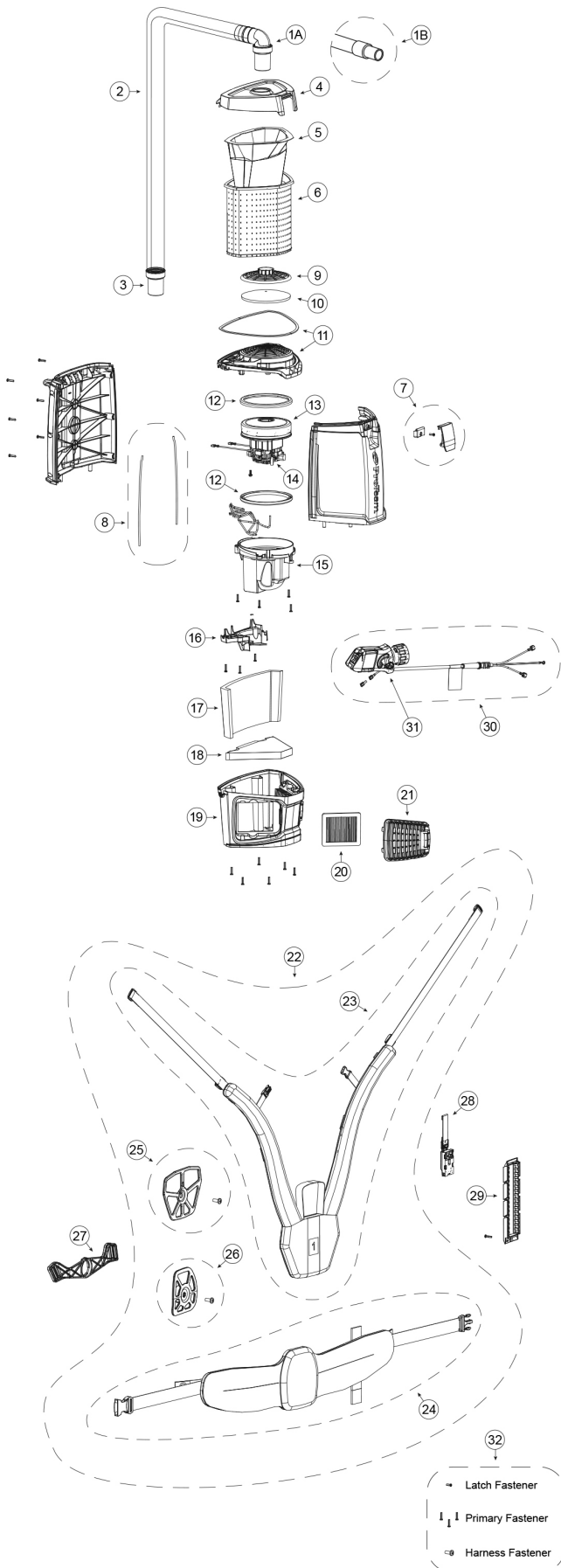
Captures 99.82% at 0.3-.5 microns per ASTM F3150

Limited Warranty

- 3 years parts, labor and motor on vacuum
- Limited lifetime on molded body parts

**The filtration value of ProTeam's ProLevel Filtration System in this vacuum is achieved by the use of a multi-stage filtration system, including intercept micro filter, micro cloth filter, plastic cage with foam filter, and post-motor filter made from HEPA media, as tested per ASTM F3150. Specification calculations are based on average motor performance.

GOFIT 3, 6, 6 PLUS & 10 PARTS



No.	Product Name	Qty	List Price
1A	101928 Replacement Double Swivel Elbow Cuff	1 ea.	13.40
1B	100694 Replacement Double Swivel Straight Cuff	1 ea.	7.99
2	107648 48" Static-Dissipating Hose w/Non-Replaceable Elbow and Straight Cuffs	1 ea.	40.47
	100505 48" Static-Dissipating Hose w/ Straight Cuffs	1 ea.	38.68
3	100694 Replacement Double Swivel Straight Cuff	1 ea.	7.99
4	843694 Purple Cap	1 ea.	37.20
5	107313 Intercept Micro Filter (GoFit 10)	10/pk	27.32
	107314 Intercept Micro Filter (GoFit 6)	10/pk	22.58
	107666 Intercept Micro Filter (GoFit 3)	10/pk	19.67
6	834000 Micro Cloth Filter (GoFit 10)	1 ea.	43.72
	834072 Micro Cloth Filter (GoFit 6)	1 ea.	36.11
	843966 Micro Cloth Filter (GoFit 3)	1 ea.	32.90
7	510779 Latch Assembly Complete w/ Retainer and Screw	1 ea.	8.92
8	834035-5 Gasket Tank 10 QT	2 ea.	3.76
	834035-3 Gasket Tank 6 QT	2 ea.	3.76
	834035-4 Gasket Tank 3 QT	2 ea.	3.76
9	510183 Dome Filter w/ Foam Media (includes: 10)	1 set	11.66
10	510184 Foam Filter Media for Dome Filter	1 ea.	3.55
11	510777 Upper Motor Support w/ Gasket	1 ea.	17.28
12	510780 Motor Gaskets Upper and Lower	1 ea.	4.87
13	844193 Motor Assembly 1300W	1 ea.	161.39
	844545 Motor Assembly with Lead (GoFit 6 PLUS)	1 ea.	166.22
14	841933 Carbon Brush Set	2 ea.	30.98
15	510781 Lower Motor Support w/ Screws	1 set	11.26
16	510776 Cover Wire w/ Screws	1 set	5.47
17	843963 Upper Foam Pad	1 ea.	3.88
18	843964 Lower Foam Pad	1 ea.	3.84
19	510778 Lower Housing Assembly w/ Screws	1 set	25.52
20	844488 Exhaust Filter Made from HEPA Media	2 ea.	17.07
21	843848 Exhaust Filter Door	1 ea.	9.43
22	844073 Harness Complete Assembly	1 ea.	103.39
23	844665 Upper Harness Assembly	1 ea.	52.06
24	843939 Lower Harness Assembly	1 ea.	50.93
25	510771 Upper Harness Plate w/ Screw	1 ea.	9.20
26	510772 Lower Harness Plate w/ Screw	1 ea.	9.34
27	843842 Lower Harness Articulating Arm	1 ea.	7.57
28	843947 Harness Quick Adjuster Assembly	1 ea.	8.72
29	510773 Harness Quick Adjust Holder w/ Screw (GoFit 10)	1 set	7.70
	510774 Harness Quick Adjust Holder w/ Screw (GoFit 6)	1 set	7.70
	510775 Harness Quick Adjust Holder w/ Screw (GoFit 3)	1 set	7.70
30	844156 Switch Box Assembly	1 ea.	48.39
	844156-2 Switch Box Assembly w/ Internal Electronics (GoFit 6 PLUS)	1 ea.	78.83
	844156-1 Switch Box Assembly for GoFit PH service (GoFit PH)	1 ea.	60.44
31	510782 Yellow Cord Guide w/ Screws	1 ea.	10.18
32	510783 Fastener Package	1 ea.	4.69
	101678 50' Extension Cord (Not shown)	1 ea.	49.64

Highlighted SKUs are shared parts with Super Coach Pro 6/10 vacuums