



ProTeam GoFit® 10

107688* GoFit 10 w/Xover Telescoping Wand Kit D (107100) \$720

The GoFit 10-qt combines ProTeam's innovative quick-adjust harness with a large capacity triangular shape capable of capturing sizeable debris. Plus, it provides comfort and ease of use as its weight is evenly distributed. That means, no matter how you move, you'll experience better balance.



Specifications

Weight:	12.9 lbs. / 5.85 kg.
Motor Airflow:	153 CFM
Static Lift:	91 in.
Motor:	1296 W / 10.8 A
Decibel:	67.2 dBA
Capacity:	10 qt. / 11 L
ProLevel Filtration® w/Four Levels of Filtration:	1372 sq. in. total area

**ProLevel Filtration System with HEPA Media

Captures 99.86% at 0.3-.5 microns per ASTM F3150

Limited Warranty

- 3 years parts, labor and motor on vacuum
- Limited lifetime on molded body parts

Optional Configurations

107689 w/Xover® Two-Piece Wand Tool Kit B (107098)	\$720
107690 w/ProBlade® Carpet Floor Tool Kit (107530)	720
107691 w/ProBlade Carpet and Hard Surface Floor Tool Kit (107532)	795
107692 w/15" Carpet Sidewinder® Kit A (106820)	740
107693 w/18" Carpet Sidewinder Kit B (106841)	765
107694 w/15" Carpet and Hard Surface Sidewinder Kit C (107463)	805
107695 w/Remediation Kit (107466)	785
107735 w/Xover Performance Telescoping Wand Tool Kit C (107099)	720
107751 w/Two-Piece Wand (101338) and Xover Tool (107016)	695
107752 w/Telescoping Wand (107628) and Xover Tool (107016)	700
107800 w/Hard Surface Tool & Blower Tool Kit (106986)	740



**NO TOOLS
REQUIRED**



ERGONOMIC



**CLEANING
FOR HEALTH**

*Standard Configuration

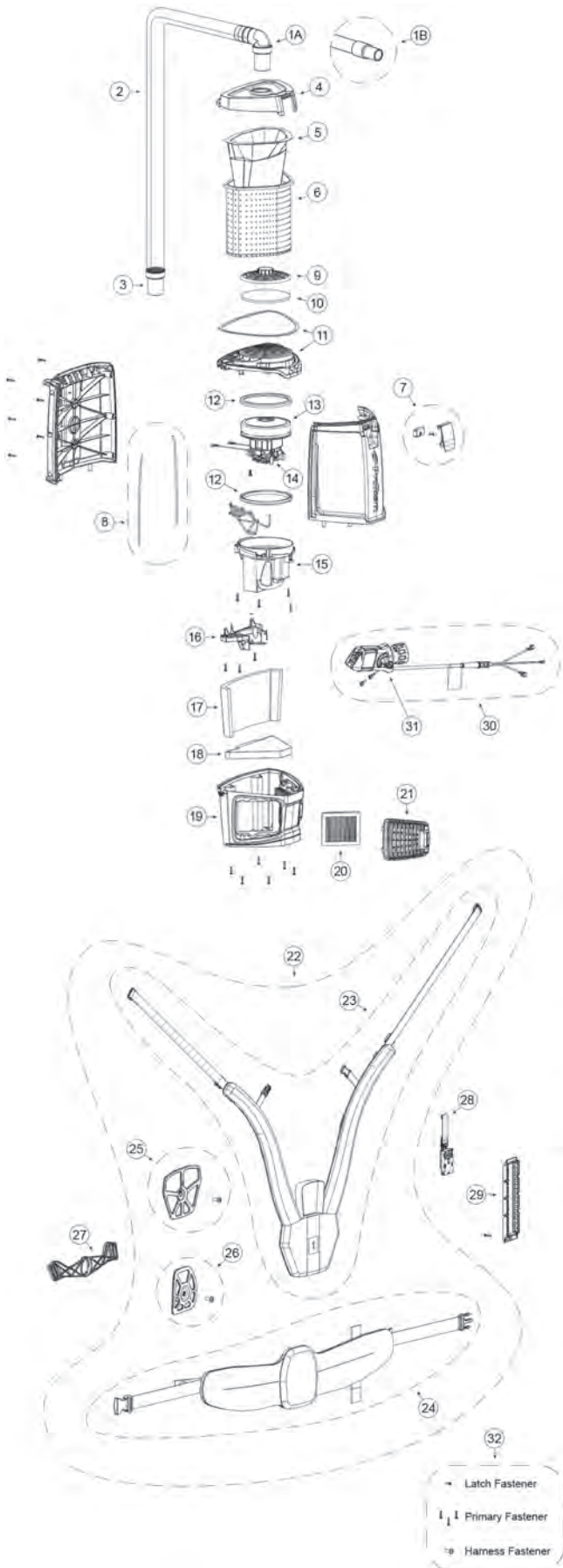
14" Xover Floor Tool	3" Dust Brush
Telescoping Wand	17" Crevice Tool
5" Upholstery Tool	

Related Products

107313 Intercept Micro® Filters, 10/pk (open collar)	\$27.32
107680 Intercept Micro Filters, 10/pk (closed collar)	38.00

**The filtration value of ProTeam's ProLevel Filtration System in this vacuum is achieved by the use of a multi-stage filtration system, including intercept micro filter, micro cloth filter, plastic cage with foam filter, and post-motor filter made from HEPA media, as tested per ASTM F3150. Specification calculations are based on average motor performance.

GOFIT 3, 6, 6 PLUS & 10 PARTS



No.	Product Name	Qty	List Price
1A	101928 Replacement Double Swivel Elbow Cuff	1 ea.	13.40
1B	100694 Replacement Double Swivel Straight Cuff	1 ea.	7.99
2	107648 48" Static-Dissipating Hose w/Non-Replaceable Elbow and Straight Cuffs	1 ea.	40.47
	100505 48" Static-Dissipating Hose w/ Straight Cuffs	1 ea.	38.68
3	100694 Replacement Double Swivel Straight Cuff	1 ea.	7.99
4	843694 Purple Cap	1 ea.	37.20
5	107313 Intercept Micro Filter (GoFit 10)	10/pk	27.32
	107314 Intercept Micro Filter (GoFit 6)	10/pk	22.58
	107666 Intercept Micro Filter (GoFit 3)	10/pk	19.67
6	834000 Micro Cloth Filter (GoFit 10)	1 ea.	43.72
	834072 Micro Cloth Filter (GoFit 6)	1 ea.	36.11
	843966 Micro Cloth Filter (GoFit 3)	1 ea.	32.90
7	510779 Latch Assembly Complete w/ Retainer and Screw	1 ea.	8.92
8	834035-5 Gasket Tank 10 QT	2 ea.	3.76
	834035-3 Gasket Tank 6 QT	2 ea.	3.76
	834035-4 Gasket Tank 3 QT	2 ea.	3.76
9	510183 Dome Filter w/ Foam Media (includes: 10)	1 set	11.66
10	510184 Foam Filter Media for Dome Filter	1 ea.	3.55
11	510777 Upper Motor Support w/ Gasket	1 ea.	17.28
12	510780 Motor Gaskets Upper and Lower	1 ea.	4.87
13	844193 Motor Assembly 1300W	1 ea.	161.39
	844545 Motor Assembly with Lead (GoFit 6 PLUS)	1 ea.	166.22
14	841933 Carbon Brush Set	2 ea.	30.98
15	510781 Lower Motor Support w/ Screws	1 set	11.26
16	510776 Cover Wire w/ Screws	1 set	5.47
17	843963 Upper Foam Pad	1 ea.	3.88
18	843964 Lower Foam Pad	1 ea.	3.84
19	510778 Lower Housing Assembly w/ Screws	1 set	25.52
20	844488 Exhaust Filter Made from HEPA Media	2 ea.	17.07
21	843848 Exhaust Filter Door	1 ea.	9.43
22	844073 Harness Complete Assembly	1 ea.	103.39
23	844665 Upper Harness Assembly	1 ea.	52.06
24	843939 Lower Harness Assembly	1 ea.	50.93
25	510771 Upper Harness Plate w/ Screw	1 ea.	9.20
26	510772 Lower Harness Plate w/ Screw	1 ea.	9.34
27	843842 Lower Harness Articulating Arm	1 ea.	7.57
28	843947 Harness Quick Adjuster Assembly	1 ea.	8.72
29	510773 Harness Quick Adjust Holder w/ Screw (GoFit 10)	1 set	7.70
	510774 Harness Quick Adjust Holder w/ Screw (GoFit 6)	1 set	7.70
	510775 Harness Quick Adjust Holder w/ Screw (GoFit 3)	1 set	7.70
30	844156 Switch Box Assembly	1 ea.	48.39
	844156-2 Switch Box Assembly w/ Internal Electronics (GoFit 6 PLUS)	1 ea.	78.83
	844156-1 Switch Box Assembly for GoFit PH service (GoFit PH)	1 ea.	60.44
31	510782 Yellow Cord Guide w/ Screws	1 ea.	10.18
32	510783 Fastener Package	1 ea.	4.69
	101678 50' Extension Cord (Not shown)	1 ea.	49.64

Highlighted SKUs are shared parts with Super Coach Pro 6/10 vacuums