



**CERTIFIED  
BRONZE**



# ProTeam AviationVac®

**106542\* AviationVac w/Aviation 1½" Tool Kit #1 (106502)  
\$865**

Designed exclusively for the transportation industry, the AviationVac utilizes the same 400 Hz power system used on transport vehicles without the need for bulky adapters. The lightweight wand and ergonomic backplate provide a highly efficient tool for cleaning up in a hurry.



## Specifications

Weight:	10 lbs. / 4.5 kg.
Motor Airflow:	106 CFM
Static Lift:	82 in.
Motor:	1864 W / 7.2 A
Decibel:	68 dBA
Capacity:	6 qt. / 6,6 L
ProLevel Filtration® w/Four Levels of Filtration:	676 sq. in. total area

## Limited Warranty

- 3 years parts, labor and motor on vacuum
- Limited lifetime on molded body parts



**AIRPLANE**



**CLEANING  
FOR HEALTH**



**MANEUVERABLE**

## \*Standard Configuration

One-Piece, Two-Bend Aluminum Wand	3" Dust Brush
12" Aluminum Gulper Floor Tool	17" Crevice Tool
5" Upholstery Tool	

## Related Products

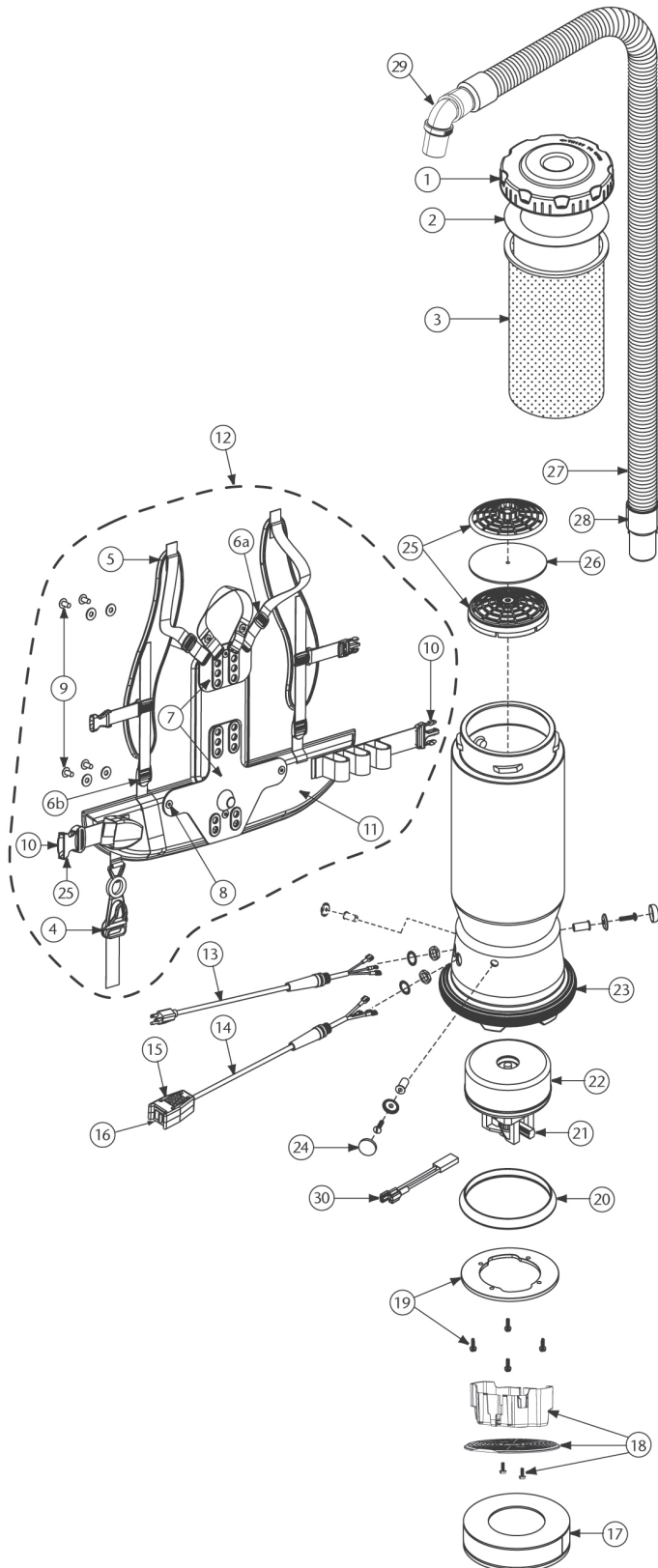
100431	Intercept Micro Filters, 10/pk (open collar)	\$20.49
106995	Intercept Micro Filters, 10/pk (closed collar)	35.13

## Optional Configurations

103024	w/Aviation 1¼" Tool Kit #2 (103222)	\$825
107155	w/Xover® Performance Telescoping Wand Tool Kit C (107099)	845

*Specification calculations are based on average motor performance.*

# AVIATIONVAC PARTS



No.	Product Name	Qty	List Price
1	104273 Twist Cap (Black)	1 ea.	\$ 41.79
2	100431 Intercept Micro Filter	10/pk	20.49
3	100564 Micro Cloth Filter	1 ea.	35.40
4	510738 Cord Holder	1 ea.	3.87
5	100356 Shoulder Strap Assembly (includes: 6a, 6b)	1 set	24.69
	100354 Strap Assembly Complete (includes: 5, 11)	1 set	75.96
6a	100358 Shoulder Strap Plastic Adjustment (Top)	1 ea.	1.46
6b	100357 Shoulder Strap Plastic Adjustment (Bottom)	1 ea.	1.46
7	105046 Backplate (includes: 8)	1 ea.	37.98
8	100375 Barrel Nut Connection Set for Backplate	1 set	8.57
9	100716 Backplate (Black) Connection Set: 4 Screws w/Washers	1 set	18.99
10	106719 Waist Belt Keeper and Latch	1 ea.	17.22
11	100359 Waist Belt (includes: 10)	1 set	56.95
12	103166 Backplate System Complete (includes: 4-11)	1 set	94.94
13	100641 Power Cord Assembly	1 set	27.55
14	101610 Switch Cord Assembly Complete (includes: 15, 16)	1 set	53.19
15	101472 Switch Box w/Velcro and New Lamb Switch	1 set	34.17
	106287 Switch Box w/Velcro and Screws	1 ea.	25.51
16	106066 On/Off Switch (Must be Used with #106287)	1 ea.	10.35
17	105800 Sound Muffler	1 ea.	41.94
18	105044 Motor Shroud/Diffuser w/Screw Set: 2 Screws	1 set	32.55
19	100335 Motor Compression Ring w/Screws	1 set	18.26
	100378 Compression Ring Screw Set: 4 Screws	1 set	4.29
20	100014 Motor Gasket	1 ea.	17.12
21	100173 Carbon Brush Set for 400 Hz Motor	1 set	162.04
22	100171 Motor/Fan w/Rectifier and Crimps (400Hz)	1 set	288.68
	100174 Motor Rectifier	1 ea.	41.79
	100379 Motor Ground Connection and Wire Clamp Set w/Screws	1 set	8.57
	100380 Motor Crimp Set: 4 Female, 4 Male, Ground Crimp Connector	1 set	15.21
23	100586 Bottom Bumper	1 ea.	10.47
24	100368 Motor Mounting System Set: 3 Well Nuts, 3 Bolts, 3 Washers, 3 Covers	1 set	18.99
25	100030 Dome Filter w/Foam Media	1 ea.	11.43
26	100343 Foam Filter Media for Dome Filter	1 ea.	2.63
	101220 High Filtration Disk (Optional)	2/pk	15.33
27	103237 Static-Dissipating Hose 1 1/4" (Black)	1 ea.	37.92
	107648 48" Static-Dissipating Hose w/ Non-Replaceable Elbow and Straight Cuffs	1 ea.	39.67
28	100694 Replacement Double Swivel Straight Cuff (Only AV 1 1/2")	1 ea.	7.83
	103279 Replacement Double Swivel Elbow Cuff (Only AV 1 1/4")	1 ea.	9.71
29	102715 Swivel Elbow Cuff 1 1/4" (Black) (Only AV)	1 ea.	17.38
	101928 Replacement Double Swivel Elbow Cuff (Only AV 1 1/2")	1 ea.	13.13
30	107294 Thermal Protector	1 ea.	20.85
	101678 50' Extension Cord (Not Shown)	1 ea.	48.66