

Super QuarterVac® HEPA

107118* Super QuarterVac HEPA w/
Xover Floor Tool Kit D (107100)

\$539

The smaller yet equally powerful sibling of the Super CoachVac backpack vacuum, is versatile enough for any sized cleaning professional. The quality built Super QuarterVac HEPA is a formidable tool for battling poor indoor air quality.



TIME SAVING



ERGONOMIC



COST OF OWNERSHIP



INDOOR AIR QUALITY



SUSTAINABLE

Specifications

Weight:	10 lbs./4.5 kg
Airflow:	150 CFM
Static Lift:	100 in.
Motor:	1188 W/9.9 A
Decibel:	67 dBA
Capacity:	6 qt./6.6 L
Four Level Filtration w/ HEPA:	729 sq. in. total area

HEPA Filtration

99.97% at 0.3 microns

Warranty

3 years parts, labor and motor on vacuum

Limited lifetime on molded body parts

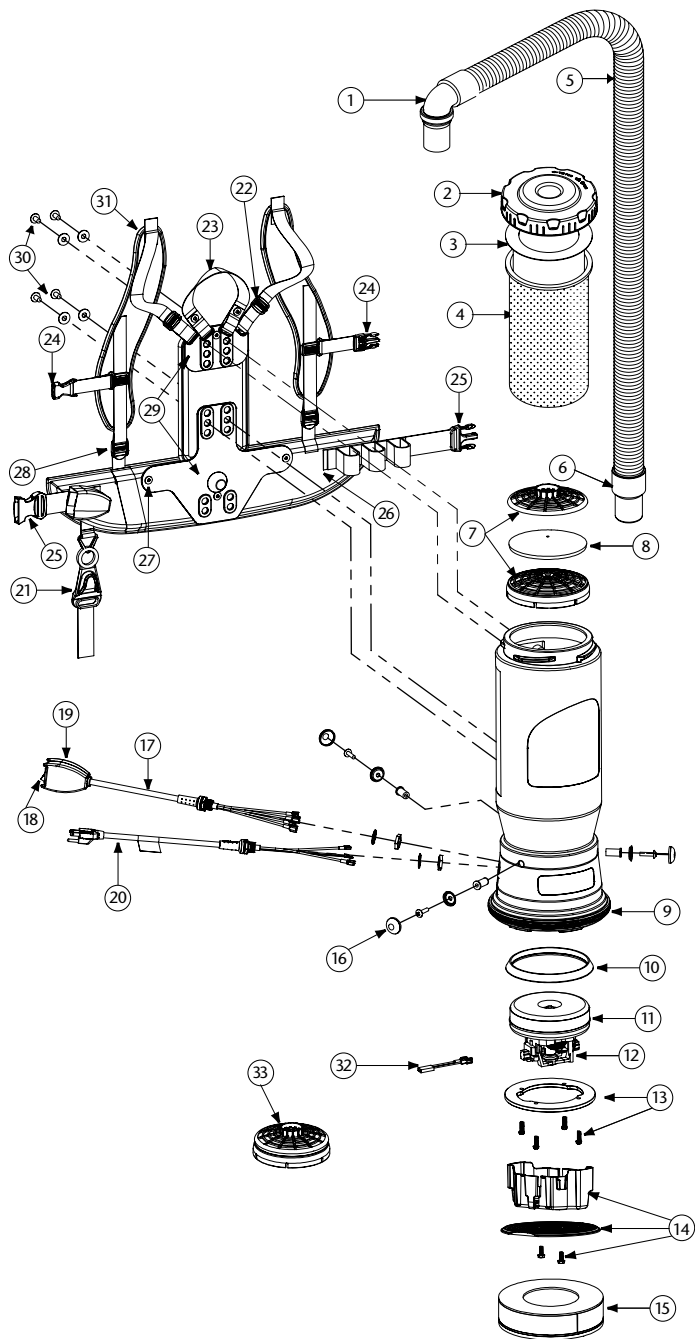
*STANDARD CONFIGURATION

- 14" Xover Floor Tool
- Telescoping Wand
- 5" Upholstery Tool
- 3" Dust Brush
- 17" Crevice Tool

OPTIONAL CONFIGURATIONS

107103	w/ Xover Performance Floor Tool Kit A (107097)	\$539
107108	w/ Xover Floor Tool Kit B (107098)	539
107113	w/ Xover Performance Floor Tool Kit C (107099)	539

SUPER QUARTERVAC HEPA PARTS



No.	Product Name	Qty	List Price
1	101928 Replacement Double Swivel Elbow Cuff (Black) 1 1/2"	1 ea.	\$ 9.06
2	106073 Twist Cap (Purple)	1 ea.	28.85
3	100431 Intercept Micro Filter	10/pk	15.60
4	100564 Micro Cloth Filter	1 ea.	24.45
5	103048 Static-Dissipating Hose (Black) w/Cuffs 1 1/2"	1 ea.	24.93
6	100694 Replacement Swivel Cuff (Black) 1 1/2"	1 ea.	5.39
7	100030 Dome Filter w/Foam Media	1 ea.	7.88
8	100343 Foam Filter Media for Dome Filter	1 ea.	1.32
	101220 High Filtration Disk (optional)	2/pk	10.59
9	100586 Bottom Bumper	1 set	7.22
10	100014 Tetraseal	1 ea.	11.81
11	105162 Motor/Fan (120 V) w/Crimps	1 ea.	118.24
	100379 Motor Ground Wire Clamp Set w/Screws	1 set	5.90
	100380 Motor Crimp Set: 4 Female, 4 Male, Ground Crimp Connector	1 set	10.49
12	105164 Carbon Brush Set (Domel)	1 set	20.98
	101720 Carbon Brush Set (Ametek)	1 set	20.98
13	100335 Motor Compression Ring w/Screws	1 set	11.15
	100378 Compression Ring Screws: 4 Screws	1 set	2.95
14	105044 Motor Shroud/Diffuser w/Screw Set: 2 Screws	1 set	22.48
15	105800 Sound Muffler	1 ea.	28.97
16	100368 Motor Mounting System Set: 3 Well Nuts, 3 Bolts, 3 Washers, 3 Covers	1 set	13.11
17	101714 Switch Cord w/Crimps	1 set	16.28
	101610 Switch Cord Assembly (includes: #17, 18, 19)	1 ea.	36.73
18	106066 On/Off Switch (must use with #106287)	1 ea.	7.14
19	101472 Switch Box w/Velcro and New Lamb Switch	1 set	23.60
	106287 Switch Box w/Velcro and Screws	1 ea.	17.61
20	100641 Power Cord Assembly	1 set	19.03
21	102604 Cord Holder	1 ea.	8.77
22	100358 Shoulder Strap Plastic Adjustment Buckle (Top)	1 ea.	.99
23	101737 Carry Handle w/Rivet and Washer Set	1 set	8.54
24	103627 Sternum Strap Buckles (Latch and Keeper)	1 set	2.10
25	106719 Waist Belt Keeper and Latch	1 ea.	11.89
26	100359 Waist Belt (includes: #25)	1 ea.	39.34
27	100375 Barrel Nut Connection Set for Backplate (Replacement)	1 set	5.90
28	100357 Shoulder Strap Plastic Adjustment Buckle (Bottom)	1 ea.	.99
29	105046 Backplate (includes: #27)	1 ea.	26.24
	103166 Backplate System Complete (includes: #21, 23, 26, 29, 30, 31)	1 set	65.58
30	100716 Backplate (Black) Connection Set: 4 Screws w/Washers	1 set	13.11
31	100356 Shoulder Strap Assembly (includes: #22, 24, 28)	1 set	17.05
	100354 Strap Assembly Complete (includes: #26, 31)	1 set	52.47
32	107294 Thermal Protector	1 ea.	14.39
33	106526 Replacement HEPA Dome Filter	1 ea.	11.54
	101678 50' Extension Cord (Not Shown)	1 ea.	32.60