

QuietPro® CN HEPA

107152* QuietPro CN HEPA w/ Xover Floor Tool Kit D (107100)

\$659

The QuietPro CN HEPA vacuum with QuietPower Technology delivers high performance where low sound levels are critical. With a filter capacity four times the size of standard uprights, the QuietPro CN HEPA provides maximum cleaning ability.



SUSTAINABLE



QUIET



COST OF OWNERSHIP



DAY CLEANING



10 qt. LARGE CAPACITY

Specifications

Weight:	12 lbs./5.44 kg
Power Mode (High):	
Airflow:	124 CFM
Static Lift:	75 in.
Motor:	744 W/6.2 A
Decibel:	55 dBA
Quiet Mode (Low):	
Airflow:	85 CFM
Static Lift:	38 in
Motor:	552 W/4.6 A
Decibel:	47 dBA
Capacity:	10 qt/11 L
Four Level Filtration w/HEPA:	2188 sq. in. total media

HEPA Filtration

99.97% at 0.3 microns

Warranty

3 years parts, labor and motor on vacuum

Limited lifetime on molded body parts

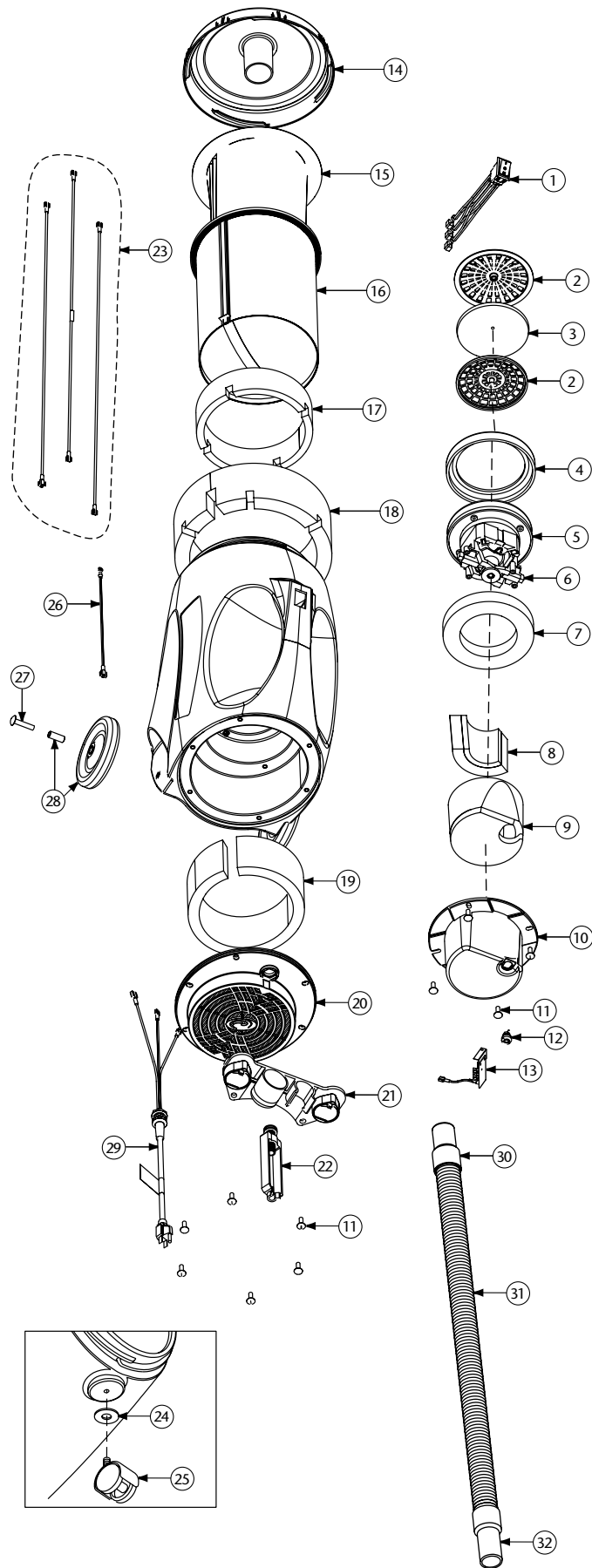
*STANDARD CONFIGURATION

14" Xover Floor Tool 3" Dust Brush
Telescoping Wand 17" Crevice Tool
5" Upholstery Tool

OPTIONAL CONFIGURATION

107151 w/ Xover Performance Floor Tool Kit C (107099) \$659

QUIETPRO CN HEPA PARTS



No.	Product Name	Qty	List Price
1	105991 On/Off Switch (2 Stage)	1 ea.	\$ 16.07
2	102784 Dome Filter w/Filter Media	1 ea.	7.88
3	101949 Replacement Foam Media for Dome Filter	1 ea.	1.32
	102761 High Filtration Disk (Optional)	2/pk	10.80
4	103236 Motor Seal	1 ea.	6.56
5	106919 Motor/Fan (120V) w/Crimps (Ametek Motor)	1 ea.	96.53
6	105697 Carbon Brush Set (Domel Motor)	1 set	20.98
	106904 Carbon Brush Set (Ametek Motor) (122157-00)	1 set	20.98
7	105430 Upper Foam Compression Ring	1 ea.	14.49
8	105949 Noise Suppression Filter Assembly	1 ea.	21.01
9	105948 Noise Suppression Foam	1 ea.	11.93
10	103121 Motor Mount	1 ea.	21.23
11	103266 Motor Mount and Vented Exhaust Cover		
	Screw Kit	1 set	5.84
12	102127 Small Strain Relief	1 ea.	.29
13	105653 Dual Speed Module and Schematic with Thermal Protector	1 ea.	60.19
14	103318 Top Cap, Black	1 ea.	34.10
15	104544 Intercept Micro Filter	10/pk	24.97
16	103115 Micro Cloth Filter	1 ea.	30.88
17	103125 Foam Inlet Damper B	1 ea.	9.86
18	103124 Foam Inlet Damper A	1 ea.	14.01
19	103256 Rear Foam Diffuser	1 ea.	11.81
20	103638 Replacement HEPA Filter Kit and Mounting Screw (includes: #29)	1 ea.	123.67
21	103117 Tool Dock	1 ea.	19.69
22	103441 Cord Lock	1 ea.	12.34
23	106203 Wire Harness Assembly: 3 Wires and Strain Relief	1 set	22.71
24	103545 Conical Washer for Swivel Caster	1 set	4.32
25	103114 Swivel Caster	1 ea.	11.81
26	106107 Ground Jumper	1 ea.	9.66
27	103268 Rear Wheel Mounting Screw Kit: 2 Screws	1 set	3.02
28	103267 Rear Wheel Assembly Kit: 2 Wheels, 2 Spacers, 2 Screws	1 set	18.76
29	103215 Power Cord Assembly w/Locknut and Washer	1 ea.	19.03
30	100694 Replacement Swivel Cuff (Black) 1 1/2"	1 ea.	5.39
31	103172 78" Static Dissipating Hose w/Cuffs (Black) 1 1/2"	1 set	34.10
32	103150 Replacement Long Swivel Cuff (Black) 1 1/2"	1 ea.	11.19
	101678 50' Extension Cord (Not Shown)	1 ea.	32.60