

QuietPro® BP HEPA
 107146* QuietPro BP HEPA w/
 Xover Floor Tool Kit D (107100)
\$609

The QuietPro BP HEPA with QuietPower® Technology delivers high performance and exceptional cleaning strengths for environments where low sound levels are critical. Never worry about disrupting building occupants during regular business hours again.



ERGONOMIC



PRODUCTIVE



QUIET



DAY CLEANING



CLEANING FOR HEALTH

Specifications

Weight:	11 lbs./4.99 kg
Power Mode (High):	
Airflow:	106 CFM
Static Lift:	82 in.
Motor:	864 W/7.2 A
Decibel:	60 dBA
Quiet Mode (Low):	
Airflow:	74 CFM
Static Lift:	45 in.
Motor:	612 W/5.1 A
Decibel:	51 dBA
Capacity:	6 qt/6.6 L
Four Level Filtration w/HEPA:	725 sq. in. total area

HEPA Filtration

99.97% at 0.3 microns

Warranty

3 years parts, labor and motor on vacuum

Limited lifetime on molded body parts

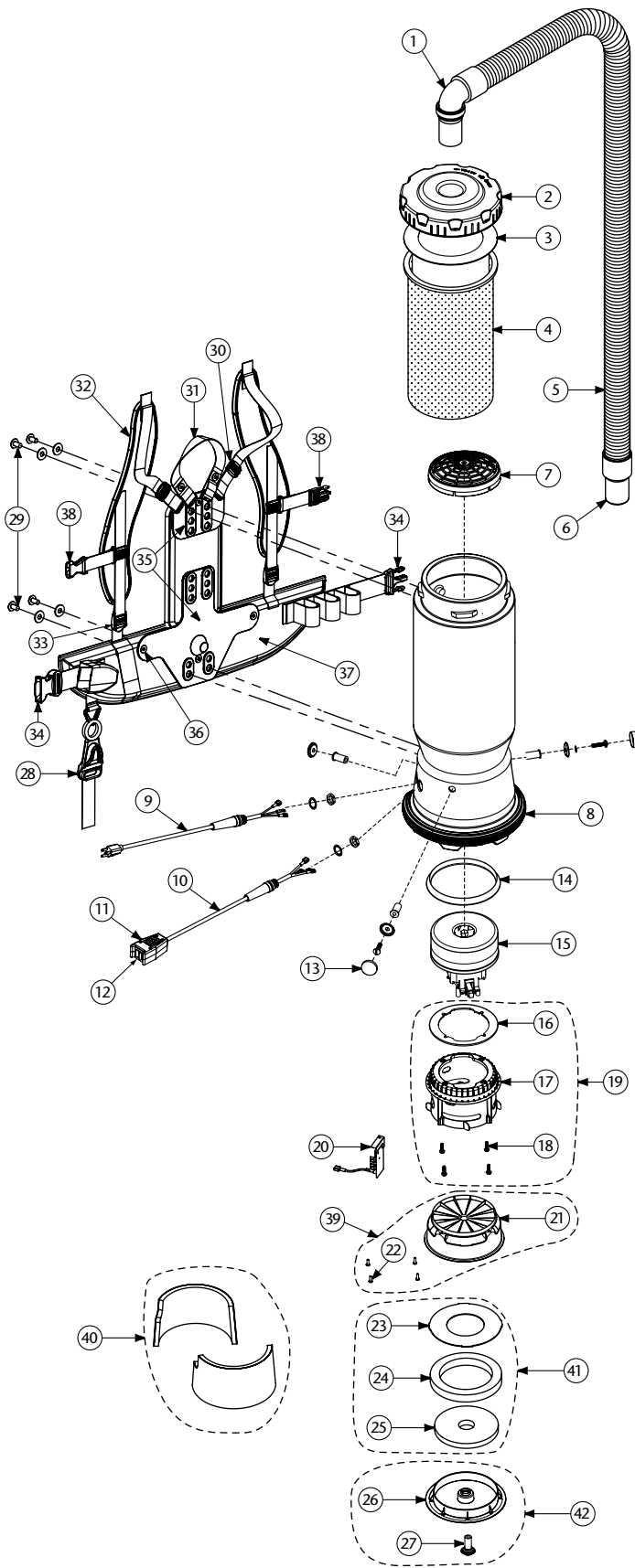
***STANDARD CONFIGURATION**

- 14" Xover Floor Tool
- Telescoping Wand
- 5" Upholstery Tool
- 3" Dust Brush
- 17" Crevice Tool

OPTIONAL CONFIGURATIONS

- 105733** w/ Attachment Kit A (100078) \$609
- 107145** w/ Xover Performance Floor Tool Kit C (107099) 609

QUIETPRO BP HEPA PARTS



No.	Product Name	Qty	List Price
1	101928 Elbow Cuff, Swivel	1 ea.	\$ 9.06
2	104273 Twist Cap (Black)	1 ea.	28.85
3	100431 Intercept Micro Filter	10/pk	15.60
4	100564 Micro Cloth Filter	1 ea.	24.45
5	103048 Static-Dissipating Hose (Black) w/Cuffs 1½"	1 ea.	24.93
6	100694 Replacement Swivel Cuff (Black) 1½"	1 ea.	5.39
7	106526 Replacement HEPA Dome Filter	1 ea.	11.54
8	100586 Bottom Bumper	1 ea.	7.22
9	100641 Power Cord Assembly Complete w/Strain Relief	1 set	19.03
10	105748 Switch Cord Assembly Complete F/QuietPro	1 set	36.91
11	106287 Switch Box w/Velcro and Screws	1 set	17.61
12	105973 On/Off Switch	1 ea.	19.45
	105438 On/Off Switch (older style) (Hi/Lo)	1 ea.	19.45
13	100368 Motor Mounting System Set: 3 Well Nuts, 3 Bolts, 3 Washers, 3 Covers	1 set	13.11
14	100014 Tetraseal, Motor	1 ea.	11.81
15	105722 Motor, (120V), 2 Stage (includes: #16)	1 ea.	103.43
	105697 Carbon Brush Set (Domel)	1 set	20.98
	100424 Carbon Brush Set (Ametek)	1 set	20.98
16	105605 Gasket, Motor	1 ea.	6.25
17	105149 Cap, Motor	1 ea.	17.61
18	100378 Screw, 10-32 x 3/4", Self Tapping	4/pk.	2.95
19	105619 Motor Mount Assembly (includes: #16, 17, 18)	1 set	32.37
20	105653 Dual Speed Module and Schematic with Thermal Protector	1 ea.	60.19
21	105150 Exhaust Housing, Motor	1 ea.	13.63
22	104419 Screw, #8 x 1/2", Phillips, Hi/Lo	1 ea.	.32
23	105337 Ring, Motor Housing, Large	1 ea.	13.91
24	105342 Foam, Ring, Motor Housing	1 ea.	17.03
25	105343 Foam, Cover, Motor Housing	1 ea.	11.93
26	105341 Cover, Motor Housing	1 ea.	11.63
27	105613 Motor Mount	1 ea.	6.81
28	102604 Cord Holder	1 ea.	8.77
29	100716 Backplate (Blk) Connection Set: 4 Screws w/Washers	1 set	13.11
30	100358 Shoulder Strap Plastic Adjustment (Top)	1 ea.	.99
31	101737 Carry Handle w/Rivet and Washer Set	1 set	8.54
32	100356 Shoulder Strap Assembly (includes: #30, 33, 38)	1 set	17.05
33	100357 Shoulder Strap Plastic Adjustment (Bottom)	1 ea.	.99
34	106719 Waist Belt Keeper and Latch	1 ea.	11.89
35	105046 Backplate (includes: #36)	1 set	26.24
	103166 Backplate System Complete (includes: #29, 31, 32, 35, 37)	1 set	65.58
	100354 Strap Assembly Complete (includes: #32, 37)	1 set	52.47
36	100375 Barrel Nut Connection Set for Backplate (Replacement)	1 set	5.90
37	100359 Waist Belt (includes: #34)	1 ea.	39.34
38	103627 Sternum Strap Buckles (Latch and Keeper)	1 set	2.10
39	105620 Kit, Housing, Exhaust, Motor F/QuietPro (includes: #21, 22)	1 set	32.37
40	105621 Kit, Foam, Acoustical Panels	1 set	41.45
41	105622 Kit, Exhaust, Foam and Ring (includes: #23, 24, 25)	1 set	36.34
42	105623 Kit, Cover, Exhaust F/QuietPro (includes: #26, 27)	1 set	17.03
	101678 50' Extension Cord (Not Shown)	1 ea.	32.60