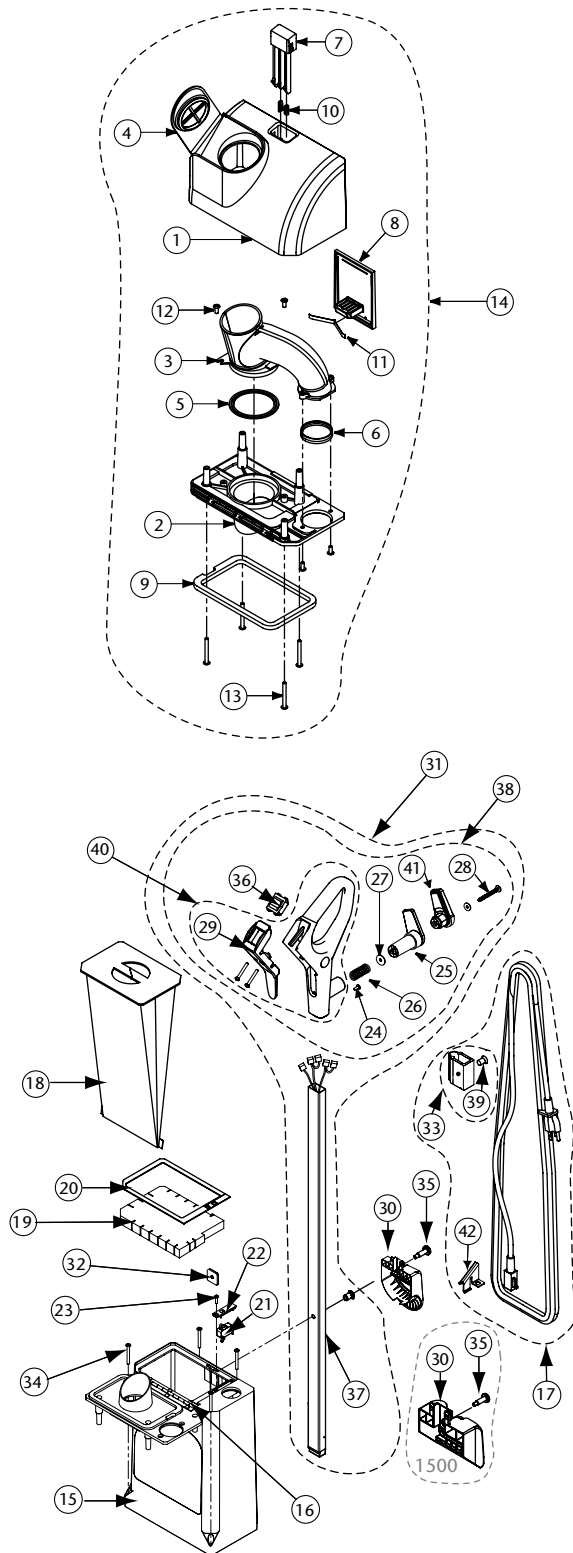


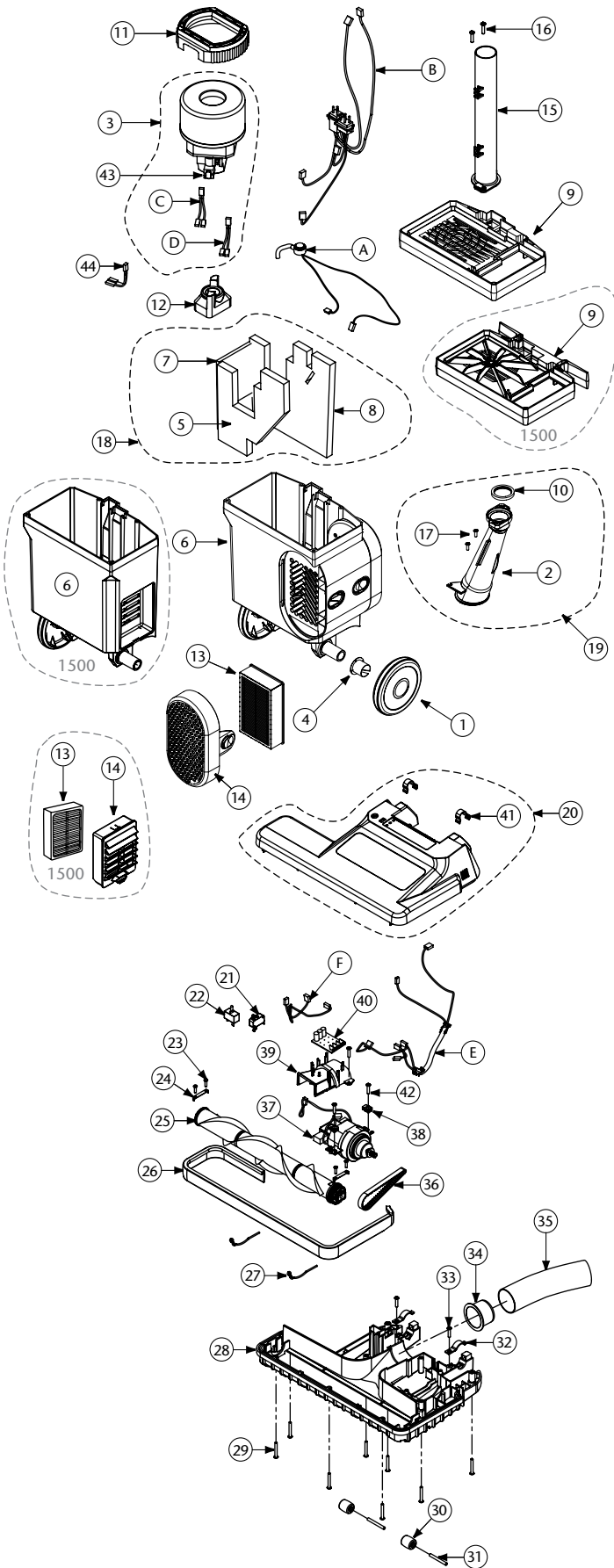
PROFORCE 1500 HEPA PARTS



| No. | Product Name | Qty | List Price |
|-----|--|-------|------------|
| 1 | 104569 Cover, Bag Housing, Grey | 1 ea. | \$17.37 |
| 2 | 104570 Plate, Bag Cover Nozzle | 1 ea. | 5.79 |
| 3 | 104571 Duct, Crossover, Bag Cover | 1 ea. | 8.28 |
| 4 | 104574 Plug, Access Port | 1 ea. | 3.48 |
| 5 | 104575 Seal, Crossover Duct/Bag Cover Nozzle Plate, Lower | 1 ea. | 2.32 |
| 6 | 104576 Seal, Crossover Duct, Inlet | 1 ea. | 2.32 |
| 7 | 104232 Latch, Release, Bag Cover | 1 ea. | 4.63 |
| 8 | 104243 Flex Plate, Bag Cover Latch | 1 ea. | 2.55 |
| 9 | 104241 Seal, Gasket, Bag Cover | 1 ea. | 2.55 |
| 10 | 104233 Spring, Release Button, F/Bag Cover Latch | 2/pk | 2.32 |
| 11 | 104242 Spring, Bag Cover Latch | 1 ea. | 3.48 |
| 12 | 104577 Screw, Phillips, 4.2mm x 9.5mm | 4/pk | 2.27 |
| 13 | 104493 Screw, Phillips, 4mm x 38mm | 4/pk | 4.25 |
| 14 | 105491 Filter Cover Kit, w/Riveted Hinge and 6 Rivets (includes: #1-13) | 1 kit | 40.75 |
| 15 | 104739 1500 Bag Housing Assembly, Grey, w/Riveted Hinge and Decal Includes Bag Cover Nozzle Plate | 1 ea. | 41.67 |
| | 107284 1500 HEPA Bag Housing Assembly, Grey, w/Riveted Hinge and Decal Includes Bag Cover Nozzle Plate | 1 ea. | 41.67 |
| 16 | 104491 Rivet F/Bag Housing Assembly | 6/pk | 3.48 |
| 17 | 104284 Cord, Power Clasp, 50' Yellow (includes: #33, 42) | 1 ea. | 36.73 |
| 18 | 103483 Intercept Micro Filter | 10/pk | 11.21 |
| 19 | 104281 Filter, Motor Intake | 1 ea. | 3.03 |
| 20 | 104738 Seal, Gasket, Bag Housing | 1 ea. | 2.55 |
| 21 | 104283 Switch, Filter, Lock-Out | 1 ea. | 10.83 |
| 22 | 104282 Cover, Switch, Filter Lock-out | 1 ea. | 2.55 |
| 23 | 105075 Screw, Phillips, 2.9mm x 13mm, F/Switch Cover | 1 ea. | 4.14 |
| 24 | 104509 Screw, Phillips, F/Handle Assembly 4mm x 10mm x .07 Pitch | 1 ea. | 2.32 |
| 25 | 104268 Bracket, Cord Wrap | 1 ea. | 4.63 |
| 26 | 104269 Spring, Compression, Cord Wrap Bracket | 1 ea. | 2.55 |
| 27 | 104270 Washer, Compression Spring, Cord Wrap Bracket | 1 ea. | 1.16 |
| 28 | 104271 Screw, Cord Wrap, 4mm x 35mm Phillips Round Head | 1 ea. | 2.32 |
| 29 | 106740 Handle Bezel w/Screws (new style) | 1 kit | 8.13 |
| 30 | 107289 1500 HEPA Handle, Carry | 1 ea. | 5.09 |
| | 104741 1500 Handle, Carry | 1 ea. | 5.09 |
| 31 | 106615 Handle, Tube Assembly Complete (includes: #37, 38) | 1 kit | 63.03 |
| 32 | 104259 Plate, Handle Nut | 1 ea. | 1.28 |
| 33 | 105091 Clasp, Strain Relief Kit w/Fastener (includes:#39) | 1 ea. | 6.37 |
| 34 | 104493 Screw, Phillips, 4.2mm x 38mm | 4/pk | 4.25 |
| 35 | 104266 Screw, Handle Assembly | 1 ea. | 1.42 |
| 36 | 105147 Switch, Rocker, On/Off | 1 ea. | 13.89 |
| 37 | 104264 Bushing, Handle Tube | 1 ea. | 1.28 |
| 38 | 106614 Handle Kit (includes: #25, 26, 27, 28, 29, 30, 36, 40, 41) | 1 kit | 41.67 |
| 39 | 105320 Ratchet Fastener | 1 ea. | 4.97 |
| 40 | 107073 Handle Bezel Assembly | 1 ea. | 23.15 |
| 41 | 107093 Impact Bumper | 1 ea. | 1.04 |
| 42 | 107203 Cord Retention Clip | 1 ea. | .83 |

For shaded areas refer to page 44

PROFORCE 1500 HEPA PARTS



| No. | Product Name | Qty | List Price |
|-----|--|-------|------------|
| 1 | 104306 Wheel, Rear | 2/pk | \$12.74 |
| 2 | 104250 Air Duct | 1 ea. | 10.83 |
| 3 | 104957 Motor Assembly Kit w/Jumpers (includes: C, D) | 1 ea. | 76.41 |
| 4 | 104504 Bearing, Pivot | 2/pk | 3.48 |
| 5 | 103532 Foam, Sound, Motor Housing Front Panel | 1 ea. | 5.42 |
| 6 | 104536 1500 Motor Housing, Charcoal | 1 ea. | 36.17 |
| | 107257 1500 HEPA Motor Housing, Charcoal | 1 ea. | 36.17 |
| 7 | 103533 Foam, Sound, Motor Housing Left Panel | 1 ea. | 3.18 |
| 8 | 103531 Foam, Sound, Motor Housing Rear Panel | 1 ea. | 7.64 |
| 9 | 104245 1500 Bulkhead, Dark Grey | 1 ea. | 15.36 |
| | 107255 1500 HEPA Bulkhead, Dark Grey | 1 ea. | 15.36 |
| 10 | 104253 Seal, Lower Air Duct , Nitrile | 1 ea. | 1.28 |
| 11 | 104249 Motor Mount, Upper Nitrile | 1 ea. | 10.83 |
| 12 | 104247 Motor Mount, Lower Nitrile | 1 ea. | 6.37 |
| 13 | 107005 1500 HEPA Filter, Exhaust, HEPA Media | 1 ea. | 5.78 |
| | 105136 Filter, Exhaust, HEPA Media | 1 ea. | 6.95 |
| 14 | 107258 1500 HEPA Cover, Filter Cartridge, Charcoal | 1 ea. | 5.22 |
| | 104246 1500/1200 Cover, Filter Cartridge, Charcoal | 1 ea. | 5.22 |
| 15 | 104578 Air Duct, Upper ProForce 1500 | 1 ea. | 6.95 |
| 16 | 104209 Screw, Phillips, 4mm x 12mm, F/Upper Air Duct | 2/pk | 2.76 |
| 17 | 104267 Screw, Phillips, 4mm x 12mm, F/Lower Air Duct | 2/pk | 4.25 |
| 18 | 105488 Motor Housing Sound Filter Kit (includes: #5, 7, 8) | 1 kit | 15.28 |
| 19 | 105489 Air Duct Kit (includes: #2, 10, 17) | 1 kit | 11.47 |
| 20 | 107282 1500 HEPA Power Nozzle Cover w/Detent Springs & Decal | 1 ea. | 31.45 |
| | 104494 1500 Power Nozzle Cover w/Detent Springs & Decal | 1 ea. | 31.45 |
| 21 | 104279 Switch, Safety, Power Nozzle Lockout | 1 ea. | 13.73 |
| 22 | 104212 Circuit Breaker | 1 ea. | 17.51 |
| 23 | 104496 Screw, Phillips, 2.9mm x 13mm, F/Brush Retainer | 4/pk | 5.30 |
| 24 | 104499 Retainer, Brush Roll | 2/pk | 2.55 |
| 25 | 104216 Brush Roll, Power Nozzle, 14" | 1 ea. | 30.35 |
| 26 | 104218 Bumper, Power Nozzle, Vinyl | 1 ea. | 6.95 |
| 27 | 104500 Brace, Formed Wire, F/Power Nozzle Base | 2/pk | 2.55 |
| 28 | 104221 Baseplate, Power Nozzle | 1 ea. | 45.80 |
| 29 | 104497 Screw, Phillips, 4mm x 35mm F/Base Cover | 8/pk | 6.02 |
| 30 | 104501 Roller, Front | 2/pk | 4.63 |
| 31 | 104502 Shaft, Front Roller Axle | 2/pk | 2.55 |
| 32 | 104503 Clamp, Rear Wheel | 1 set | 4.45 |
| 33 | 104495 Screw, Phillips, 4mm x 19mm, F/Powerhead | 5/pk | 3.48 |
| 34 | 104227 Sleeve, Hose, Air Duct | 1 ea. | 2.55 |
| 35 | 104230 Hose, Power Nozzle to Air Duct, Lower | 1 ea. | 5.88 |
| 36 | 104217 Belt, Drive, F/Brush Roll | 1 ea. | 5.79 |
| 37 | 104506 Motor, Power Nozzle with Crimps | 1 ea. | 75.34 |
| 38 | 104498 Grommet, Vibration, Power Nozzle Motor, Nitrile | 2/pk | 2.55 |
| 39 | 104224 Cover, Air Duct, Power Nozzle | 1 ea. | 4.79 |
| 40 | 104226 Board, Vacuum Operation Indicator | 1 ea. | 9.26 |
| 41 | 104507 Spring, Detent, Upright Lock | 2/pk | 3.48 |
| 42 | 105371 Screw, Phillips, 4.2mm x 19mm, F/Power Nozzle Motor | 2/pk | 2.32 |
| 43 | 105281 Carbon Brush Set for ProForce Motor | 1 set | 20.98 |
| 44 | 105760 Thermal Protector | 1 ea. | 9.37 |
| | 105755 Wire Harness Kit includes: | 1 set | 33.00 |

- A. Sensor, Bag, Full Indicator
- B. Harness, Wire, Main Power Supply
- C. Harness, Jumper, White
- D. Harness, Jumper, Red
- E. Harness, Wire, Power Nozzle
- F. Harness, Power Nozzle Switch

For shaded areas refer to page 44