

AviationVac®

106542* AviationVac w/Aviation 1½" Kit #1 (106502)

\$619

Designed exclusively for the transportation industry, the AviationVac utilizes the same 400 Hz power system used on transport vehicles without the need for bulky adaptors. The lightweight wand and ergonomic backplate provide a highly efficient tool for cleaning up in a hurry.



ERGONOMIC



TIME SAVING



AIRPLANE



MANEUVERABLE



CLEANING FOR HEALTH

Specifications

Weight:	10 lbs./4.5 kg
Airflow:	106 CFM
Static Lift:	82 in.
Motor:	864 W/ 7.2 A
Decibel:	68 dBA
Capacity:	6 qt./6.6 L
Four Level Filtration:	676 sq. in. total area

Warranty

3 years parts, labor and motor on vacuum

Limited lifetime on molded body parts

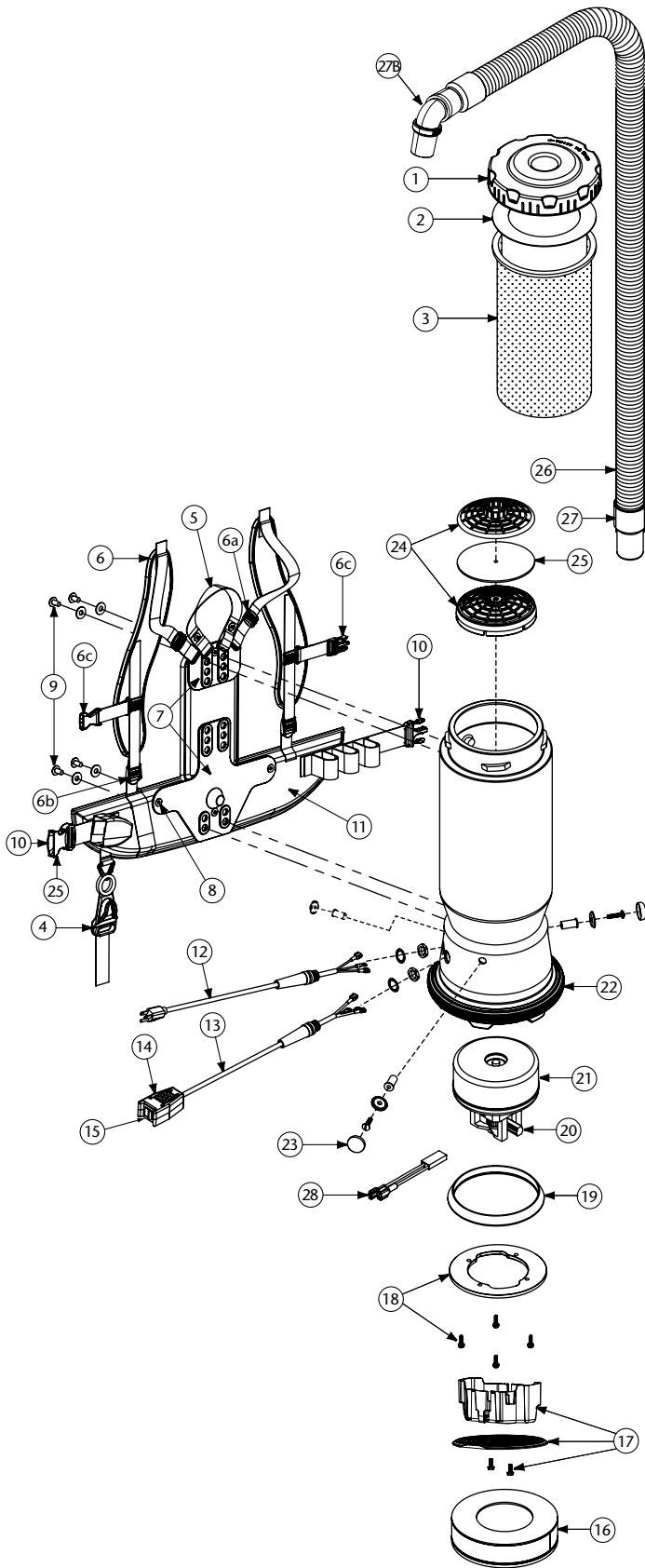
*STANDARD CONFIGURATION

- One-Piece, Two-Bend Aluminum Wand
- 17" Crevice Tool
- 3" Dust Brush
- 5" Upholstery Tool
- 12" Aluminum Gulper Floor Tool

OPTIONAL CONFIGURATIONS

103024	w/ Aviation 1¼" Kit #2 (103222)	\$599
107155	w/ Xover Performance Floor Tool Kit C (107099)	619
107156	w/ Xover Floor Tool Kit D (107100)	619

AVIATIONVAC PARTS



No.	Product Name	Qty	List Price
1	104273 Twist Cap (Black)	1 ea.	\$ 28.85
2	100431 Intercept Micro Filter	10/pk	15.60
3	100564 Micro Cloth Filter	1 ea.	24.45
4	102604 Cord Holder	1 ea.	8.77
5	101737 Carry Handle w/Rivet and Washer Set	1 set	8.54
6	100356 Shoulder Strap Assembly (includes: #6a, 6b, 6c)	1 set	17.05
6a	100358 Shoulder Strap Plastic Adjustment (Top)	1 ea.	.99
6b	100357 Shoulder Strap Plastic Adjustment (Bottom)	1 ea.	.99
6c	103627 Sternum Strap Buckles (Latch and Keeper)	1 set	2.10
7	105046 Backplate (includes: #8)	1 ea.	26.24
8	100375 Barrel Nut Connection Set for Backplate	1 set	5.90
9	100716 Backplate (Black) Connection Set: 4 Screws w/Washers	1 set	13.11
10	106719 Waist Belt Keeper and Latch	1 ea.	11.89
11	100359 Waist Belt (includes: #10)	1 ea.	39.34
	100354 Strap Assembly Complete (includes: #6, 11)	1 set	52.47
	103166 Backplate System Complete (includes: #4, 5, 6, 7, 9, 11)	1 set	65.58
12	100641 Power Cord Assembly	1 set	19.03
13	101610 Switch Cord Assembly Complete (includes: #14, 15)	1 set	36.73
	101715 Switch Cord w/Crimps	1 ea.	16.28
	101717 Switch Cord Assembly Complete w/Switch and Box	1 ea.	36.73
14	101472 Switch Box w/Velcro and New Lamb Switch	1 set	23.60
	106287 Switch Box w/Velcro and Screws	1 ea.	17.61
15	106066 On/Off Switch (Must be Used with 106287)	1 ea.	7.14
16	105800 Sound Muffler	1 ea.	28.97
17	105044 Motor Shroud/Diffuser w/Screw Set: 2 Screws	1 set	22.48
18	100335 Motor Compression Ring w/Screws	1 set	11.15
	100378 Compression Ring Screw Set: 4 Screws	1 set	2.95
19	100014 Tetraseal	1 ea.	11.81
20	100173 Carbon Brush Set for 400 Hz Motor	1 set	97.28
21	100171 Motor/Fan w/Rectifier and Crimps (400Hz)	1 set	199.47
	100174 Motor Rectifier	1 ea.	28.85
	100379 Motor Ground Connection and Wire Clamp Set w/Screws	1 set	5.90
	100380 Motor Crimp Set: 4 Female, 4 Male, Ground Crimp Connector	1 set	10.49
22	100586 Bottom Bumper	1 ea.	7.22
23	100368 Motor Mounting System Set: 3 Well Nuts, 3 Bolts, 3 Washers, 3 Covers	1 set	13.11
24	100030 Dome Filter w/Foam Media	1 ea.	7.88
25	100343 Foam Filter Media for Dome Filter	1 ea.	1.32
	101220 High Filtration Disk (Optional)	2/pk	10.59
26	103237 Static-Dissipating Hose 1 1/4" (Black)	1 ea.	26.18
	103048 Static-Dissipating Hose 1 1/2" (Black)	1 ea.	24.93
27	100694 Swivel Cuff (Black) 1 1/2" (Only AV 1 1/2")	1 ea.	5.39
	103279 Swivel Cuff 1 1/4" (Black) (Only AV 1 1/4")	1 ea.	6.69
27B	102715 Swivel Elbow Cuff 1 1/4" (Black) (Only AV 1 1/4")	1 ea.	9.66
	101928 Swivel Elbow Cuff 1 1/2" (Black) (Only AV 1 1/2")	1 ea.	9.06
28	107294 Thermal Protector	1 ea.	14.39
	101678 50' Extension Cord (Not Shown)	1 ea.	32.60