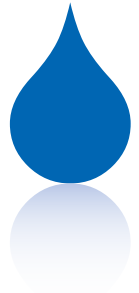


ProGuard® 10

107129 ProGuard 10 w/Wet/Dry Tool Kit (107187)

\$509

The ProGuard 10 Wet/Dry Vacuum offers durable construction and powerful performance. With a heavy duty, 2 stage motor and commercial grade tools and hose, the ProGuard 10 will keep working even in the toughest environments.

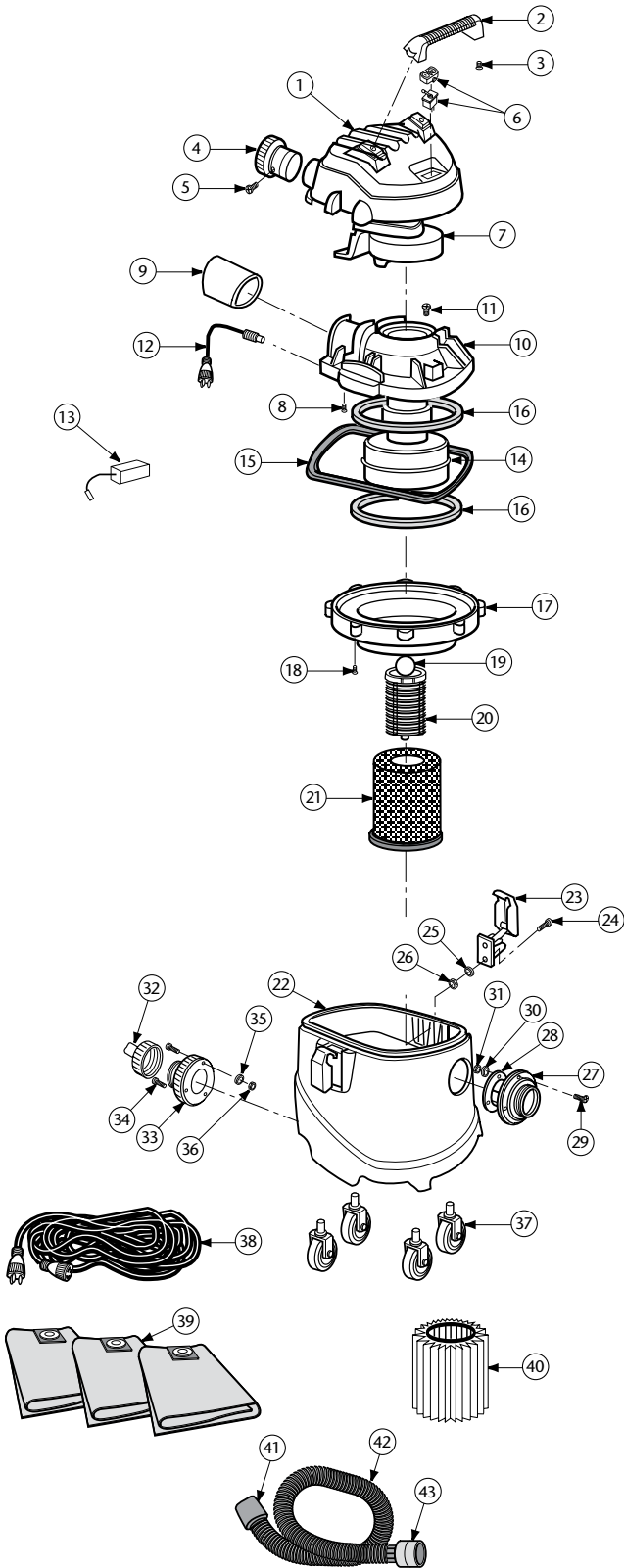


Specifications		Standard Configuration
Motor:	1380 W/9.5 A	10' Vacuum Hose
Airflow:	105 CFM	Two-Piece Wand
Static Lift:	95"	Nylon Floor Tool
Tank Size:	10 gallon/38 L	Squeegee Tool
Weight:	28 lbs./12.7 kg	Crevice Tool
Decibel:	68 dBA	Dust Brush
ProGuard Wet Filter:	Polypropylene Screen	
Fine Dust Cartridge Filter:	1276 sq. in.	
Power Cord:	50', 14 AWG	
		Warranty
		3 years parts, labor and motor on vacuum
		Limited lifetime on molded body parts

RECOMMENDED ENVIRONMENTS:
<ul style="list-style-type: none"> • Education • Healthcare • Hospitality / Food service

RECOMMENDED APPLICATIONS:
<ul style="list-style-type: none"> • Retail • Emergency / Flood Cleanup • Hard Floor / Refinishing

PROGUARD 10 PARTS



No.	Product Name	Qty	List Price
1	510094 Motor Cover Assembly	1 ea.	\$ 11.66
2	830565-2 Handle Motor Cover	1 ea.	2.31
3	820563-4 Screw Type AB #10 x 3/4"	1 ea.	.05
4	833600 Diffuser Assembly	1 ea.	3.83
5	820563-4 Screw Type AB #10 x 3/4"	1 ea.	.05
6	510127 Switch Assembly	1 ea.	1.84
7	831651 Duct Motor Exhaust/Cooling Fan	1 ea.	6.04
8	820563-4 Screw Type AB #10 x 3/4"	1 ea.	.05
9	830609 Exhaust Foam Pad	1 ea.	1.47
10	831653-3 Lid with Foam	1 ea.	11.13
11	826453-2 Screw 10-32 x 3/4"	1 ea.	.16
12	833417 Power Cord Assembly	1 ea.	21.74
13	822374-8 Carbon Brush Set	1 set	4.88
14	831567 Motor Assembly Complete	1 ea.	83.21
15	833518 Gasket Lid	1 ea.	8.93
16	827415 Gasket Motor	1 ea.	4.36
17	831659 Collector Assembly	1 ea.	9.19
18	820563-4 Screw Type AB #10 x 3/4"	1 ea.	.05
19	833778 Ball Float	1 ea.	1.21
20	830101-1 Filter Cage	1 ea.	2.73
21	107177 Wet Filter	1 ea.	25.15
22	833601 Tank, 10 Gallon	1 ea.	89.83
23	833424-1 Drum Latch	1 ea.	4.94
24	833492-1 Screw 10-32 x 3/4"	1 ea.	1.00
25	833493 Washer (13/64 ID) #10	1 ea.	.05
26	161255-8 Nut Lock #10	1 ea.	.32
27	833425 Tank Inlet Adapter	1 ea.	2.21
28	833426 Gasket Inlet Adapter	1 ea.	.89
29	833492 Screw 1-32 x 1 1/4"	1 ea.	.37
30	833493 Washer (13/64 ID) #10	1 ea.	.05
31	161255-8 Nut Lock #10	1 ea.	.32
32	73185 Drain Cap	1 ea.	3.68
33	833429 Drain Adapter with Gasket	1 ea.	2.84
34	833492-2 Screw 1-32 x 1 3/8"	1 ea.	.84
35	833493 Washer (13/64 ID) #10	1 ea.	.05
36	161255-8 Nut Lock #10	1 ea.	.32
37	833431 Caster 3"	1 ea.	9.08
38	833432 50' Extension Cord	1 ea.	60.64
39	107181 Intercept Micro Filter	3/pk	24.33
40	107175 Qwik Lock Fine Dust Filter	1 ea.	25.15
41	831577 Swivel Hose Cuff	1 ea.	2.42
42	107198 Hose Assembly	1 ea.	41.84
43	833587 Locking Ring Cuff	1 ea.	8.03