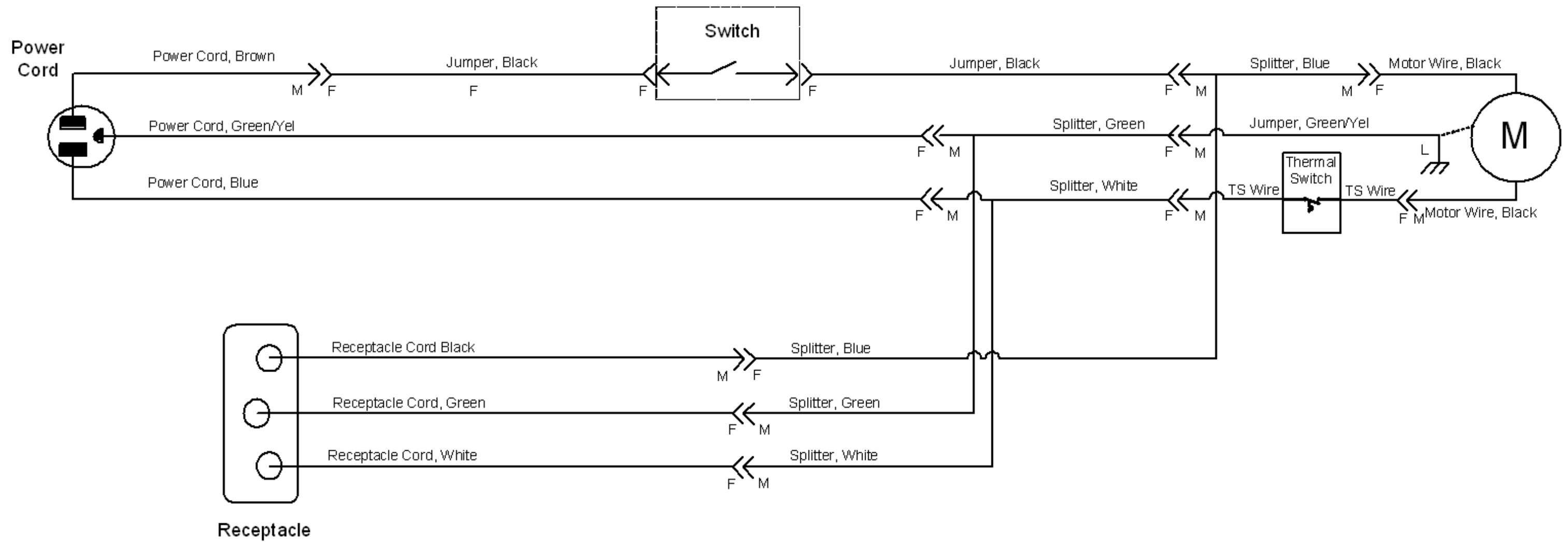


REVISION HISTORY		
REV.	DESCRIPTION	DATE
01	Preliminary Release per CR C08-0082	2008-10-20
A	Released per ECN E08-0082	2008-10-28
B	Update Schematic per ECN E08-0067	2010-02-04



TEXTURE / FINISH		PAIN T COLOR	
PAIN T SPEC.		MATERIAL COLOR	
MATERIAL VENDOR		MASS (LBS)	0.000
MATERIAL SPECIFICATION		PART VOLUME (IN ³)	0.000
CAD GENERATED DRAWING DO NOT MANUALLY UPDATE MODEL REFERENCED: A			
DIMENSIONING AND TOLERANCING IN ACCORDANCE WITH ASME Y14.5M-1994 UNLESS OTHERWISE SPECIFIED. TOLERANCES ARE IN INCHES. TOLERANCES ARE:		5118 N. Sawyer Ave. Boise, ID 83714 208-377-9555	
FRACTIONS ± 1/64	DECIMALS X ± .1 .XXX ± .01 .XXXX ± .005 .XXXXX ± .0030	Schematic, Canistor w/Recep, 120V, UL	
THIRD ANGLE PROJECTION 		Project: Schematics	Date Created:
SIZE B	DWG. NO. 300425	DESIGNER RF	REV. B
NON DISCLOSURE AGREEMENT		SCALE: NTS	SHEET 1 OF 1
<small>THE INFORMATION CONTAINED IN THIS DRAWING IS THE SOLE PROPERTY OF PROTEAM, INC. ANY REPRODUCTION IN PART OR WHOLE WITHOUT THE WRITTEN PERMISSION OF PROTEAM, INC. IS PROHIBITED. YOUR POSSESSION OF THIS DOCUMENT CONSTITUTES ACCEPTANCE OF THESE TERMS © 2004 PROTEAM</small>			