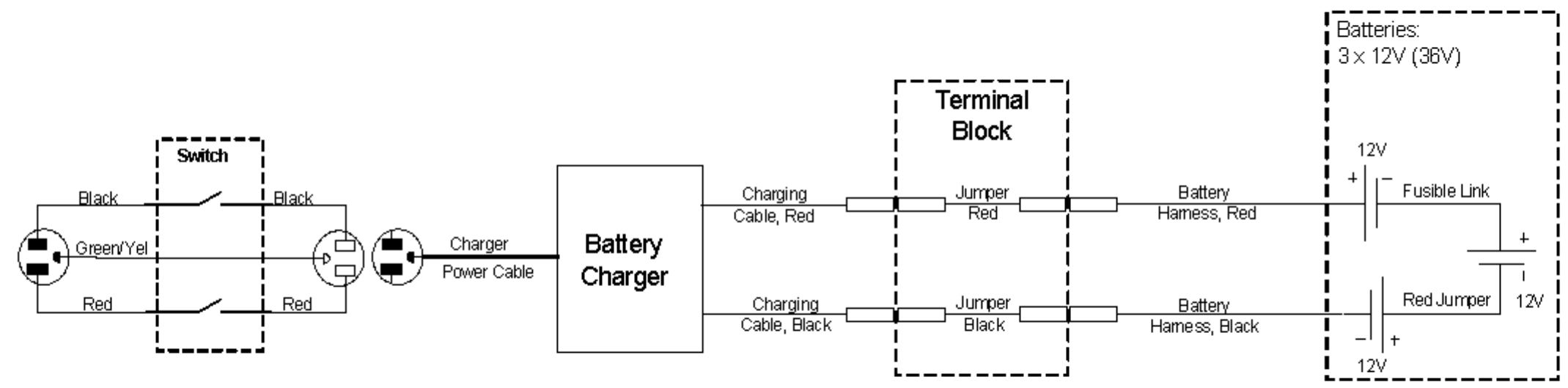
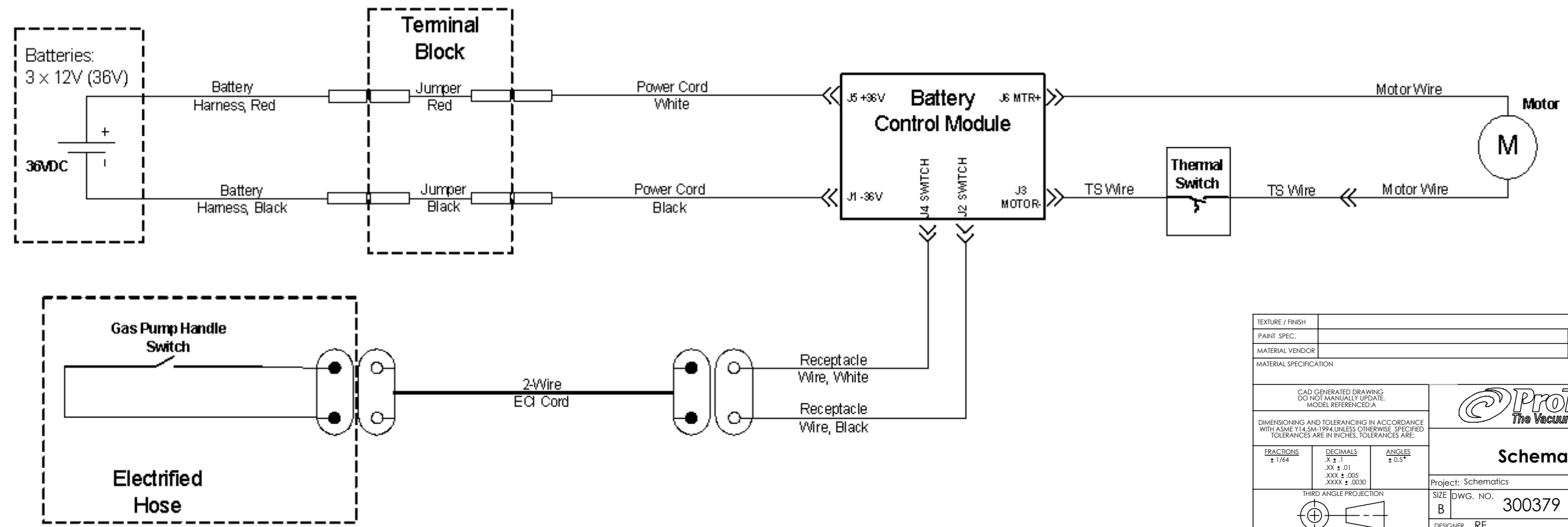


REVISION HISTORY		
REV.	DESCRIPTION	DATE
A	Initial Release	2008-06-06

Charger Circuit



Vacuum Circuit



TEXTURE / FINISH		PAIN T COLOR				
PAIN T SPEC.		MATERIAL COLOR				
MATERIAL VENDOR		MATERIAL SPECIFICATION				
CAD GENERATED DRAWING DO NOT MANUALLY UPDATE MODEL REFERENCED: A		MASS (LBS)	PART VOLUME (IN3)			
DIMENSIONING AND TOLERANCING IN ACCORDANCE WITH ASME Y14.5M-1994 UNLESS OTHERWISE SPECIFIED. TOLERANCES ARE IN INCHES. TOLERANCES ARE:						
5118 N. Sawyer Ave. Boise, ID 83714 208-377-9555	Schematics, Battery GoCart					
Project: Schematics	Date Created:					
THIRD ANGLE PROJECTION	SIZE DWG. NO.	REV.				
<table border="1"> <tr> <td>FRACTIONS ± 1/64</td> <td>DECIMALS X ± .1 .XXX ± .005 .XXXX ± .0030</td> <td>ANGLES ± 0.5°</td> </tr> </table>	FRACTIONS ± 1/64	DECIMALS X ± .1 .XXX ± .005 .XXXX ± .0030	ANGLES ± 0.5°	B 300379	A	
FRACTIONS ± 1/64	DECIMALS X ± .1 .XXX ± .005 .XXXX ± .0030	ANGLES ± 0.5°				
DESIGNER RF	SCALE: NTS	SHEET 1 OF 1				
NON DISCLOSURE AGREEMENT						
THE INFORMATION CONTAINED IN THIS DRAWING IS THE SOLE PROPERTY OF PROTEAM, INC. ANY REPRODUCTION IN PART OR WHOLE WITHOUT THE WRITTEN PERMISSION OF PROTEAM, INC. IS PROHIBITED. YOUR POSSESSION OF THIS DOCUMENT CONSTITUTES ACCEPTANCE OF THESE TERMS © 2004 PROTEAM						