

## ProBlitz®

107132 ProBlitz

**\$289**

107133 ProBlitz XP

**\$329**

Maximum airflow and low amp draw combine to make the ProBlitz AirMover the first choice for Carpet Cleaners and Restoration Contractors alike. With 3 fan speeds and 3 operating positions, the ProBlitz AirMover tackles every air circulation requirement with ease.



\*ProBlitz XP AirMover shown.



### Specifications

<b>Motor:</b>	.4 HP/360 Watt/Capacitor	
<b>Amperage:</b>	Low	2.4 A
	Medium	2.7 A
	High	3.0 A
<b>Airflow:</b>	2200 CFM (max)	
<b>Weight:</b>	28 lbs./12.7 kg	
<b>Decibel:</b>	Low	63 dbA
	Medium	65 dbA
	High	66 dbA
<b>Housing:</b>	2-Piece High-Impact Polypropylene w/ Built-in Cord Wrap	
<b>Storage:</b>	Vertically stackable and top-mounted carry handle	
<b>Blower Wheel:</b>	High-Impact Polypropylene	
<b>Drying Positions:</b>	Three - 0°, 45°/60° (XP model only), 90°	
<b>Transportation:</b>	Telescoping handle and wheels (XP model only)	
<b>Power Cord:</b>	30', 18-3 AWG w/Grounded Plug	

### OPTIONAL ACCESSORY

107300 Carpet Clamp Kit

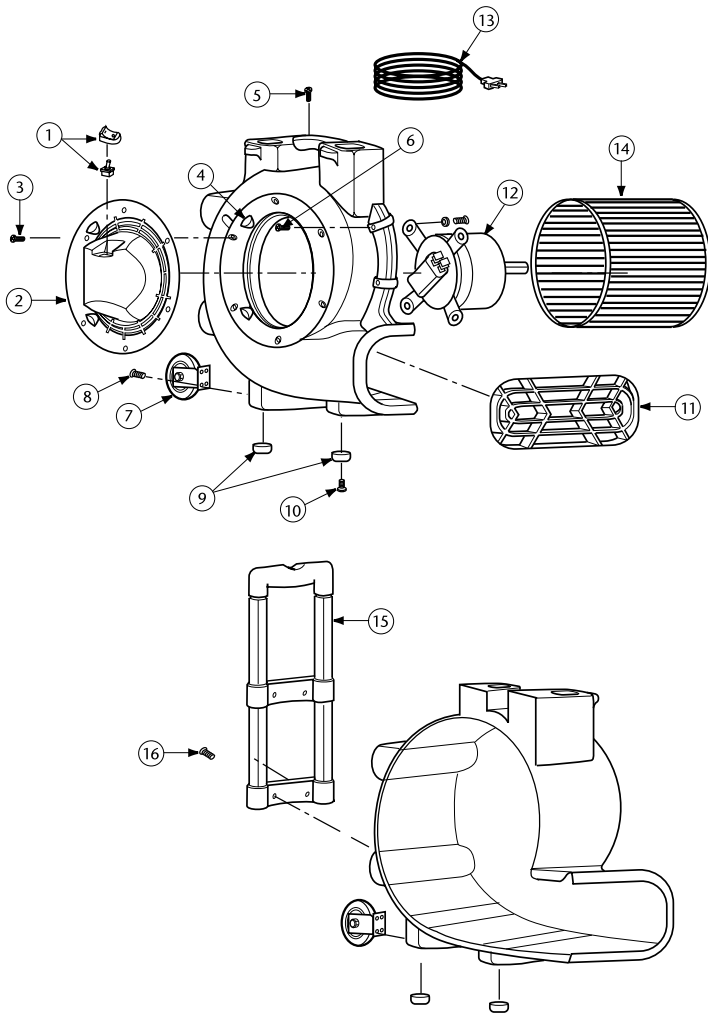
\$45

### Warranty

3 years parts, labor and motor

Limited lifetime on molded housing

# PROBLITZ AIR MOVER PARTS



No.	Product Name	Qty	List Price
1	510141 Switch & Knob Assembly	1 ea.	\$ 5.00
2	833658 Inlet Grill	1 ea.	5.45
3	820563-7 Screw, Type AB #10 x 3/4"	1 ea.	.05
4	833673 Threaded Inserts - Housing	1 ea.	5.60
5	820563-7 Screw, Type AB #10 x 3/4"	1 ea.	.05
6	820563-13 Screw, Type AB #10 x 1"	1 ea.	.05
7	510140 Wheel Assembly (ProBlitz XP only)	1 ea.	5.00
8	820563-7 Screw, Type AB #10 x 3/4" (ProBlitz XP only)	1 ea.	.05
9	833690 Foot Bumper (Only four (4) required for ProBlitz XP)	1 ea.	1.50
10	820563-7 Screw, Type AB #10 x 3/4" (Only four (4) required for ProBlitz XP)	1 ea.	.05
11	833659 Exhaust Grill	1 ea.	5.04
12	833674 Motor	1 ea.	137.95
13	833675 Cord w/Plug	1 ea.	25.85
14	833660 Blower Wheel	1 ea.	29.90
15	833691 Retractable Handle (ProBlitz XP only)	1 ea.	28.75
16	820563-7 Screw, Type AB #10 x 3/4" (ProBlitz XP only)	1 ea.	.05