



Super HalfVac® Pro

107325* Super HalfVac Pro w/
Xover Telescoping Wand Tool Kit D (107100)

\$529

The redesigned Super HalfVac Pro provides versatility and performance in a lightweight, compact size. This sleek hipstyle vacuum features a versatile harness system for user comfort and maximum productivity.



VERSATILE FIT



PRODUCTIVE



COST OF OWNERSHIP



Indoor Air Quality



MANEUVERABLE

Specifications

Weight:	10.5 lbs./4.76 kg
Airflow:	106 CFM
Static Lift:	97 in.
Motor:	1050 W/8.5 A
Decibel:	64 dBA
Capacity:	6 qt/6.6 L
Four Level Filtration w/ HEPA:	1060 sq. in. total area

HEPA Filtration

99.97% at 0.3 microns

Warranty

3 years parts & labor
1 year on motor
3 years on molded body parts

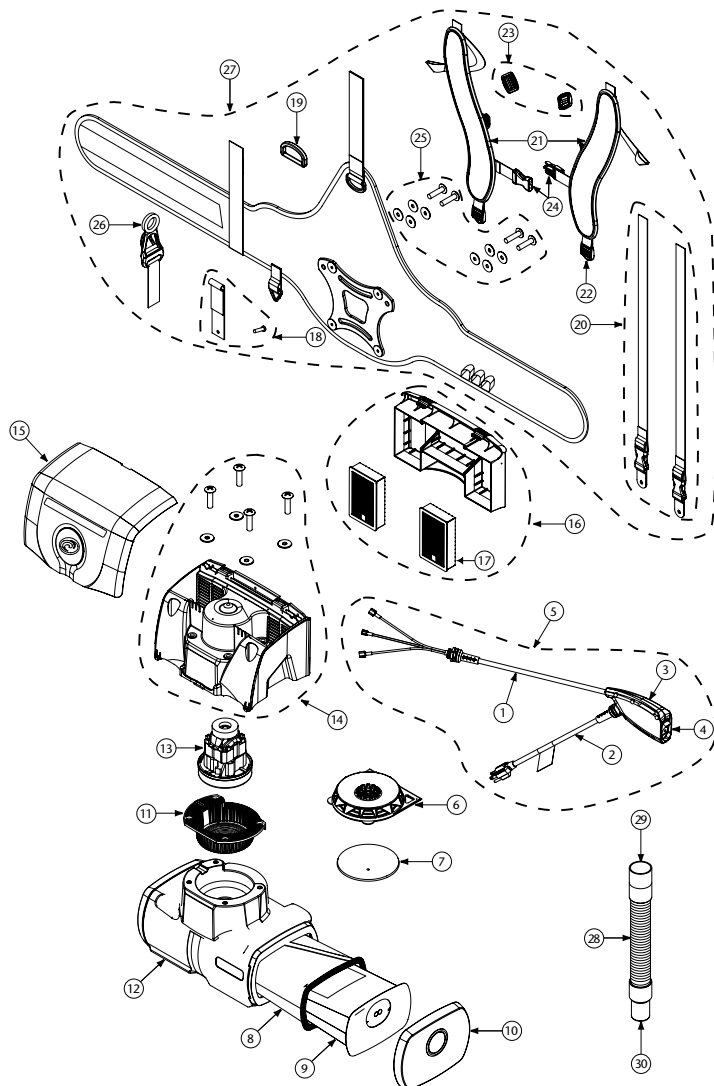
*STANDARD CONFIGURATION

14" Xover Floor Tool
Telescoping Wand
5" Upholstery Tool
3" Dust Brush
17" Crevice Tool

OPTIONAL CONFIGURATIONS

107327	w/ Xover® Two-Piece Wand Tool Kit B (107098)	\$529
107328	w/ Xover Performance Two-Piece Wand Tool Kit C (107099)	529
107385	w/ Restaurant Tool Kit (100727)	549

SUPER HALFVAC PRO PARTS



No.	Product Name	Qty	List Price
1	834675 Switch Cord Assembly	1 ea.	\$5.54
2	834676 Power Cord Assembly	1 ea.	4.32
3	107043 Switch Box	1 ea.	17.61
4	106066 On/Off Switch	1 ea.	7.14
5	834674 Switch and Power Cord Assembly (includes: #1 - 4)	1 set	13.38
6	107054 Plastic Dome Filter	1 ea.	7.88
7	107060 Foam Filter Media	1 ea.	1.32
8	107040 Micro Cloth Filter	1 ea.	24.45
9	106973 Intercept Micro Filter (closed collar)	10/pk.	24.47
	106960 Intercept Micro Filter (open collar)	10/pk.	20.80
10	834343 End Cap (purple)	1 ea.	6.75
11	834339 Vibration Dampener	1 ea.	7.65
12	510212 Bag Housing w/Decals	1 ea.	94.95
13	510213 Motor Assembly	1 ea.	73.20
14	510227 Upper Housing w/Screws & Washers	1 set	48.75
15	510214 Overlap Housing w/Screws	1 set	31.76
16	834333 HEPA Filter Housing w/2 HEPA Cartridges (includes: #17)	1 ea.	39.95
	107059 HEPA Filter Housing (older style)	1 ea.	13.18
17	107005 HEPA Media Cartridge	1 ea.	5.78
18	107048 Stabilization Strap w/Screw	1 ea.	1.63
19	107051 D-Ring	1 ea.	0.72
20	107049 Length Adjustment Strap Kit w/Buckles	1 set	9.33
21	100356 Shoulder Strap Assembly (includes: #23 - 26)	1 set	17.05
22	100357 Shoulder Strap Plastic Adj. Buckle (Bottom)	1 ea.	0.99
23	100358 Shoulder Strap Plastic Adj. Buckle (Top)	1 ea.	0.99
24	103627 Sternum Strap Buckles (Latch & Keeper)	1 set	2.10
25	107052 Waist Belt Assembly & Upper Housing Screw Kit	1 set	7.13
26	102604 Cord Holder	1 ea.	8.77
27	107050 Waist Belt, Complete, w/Mounting Hardware (includes: #19 - 26)	1 set	81.74
28	101184 Stretch Hose w/Cuffs 1 1/4" (Black)	1 ea.	22.96
	101705 Stretch Hose w/Cuffs 1 1/2" (Black)	1 ea.	28.51
29	101437 Replacement Fixed Hose Cuff (Black) 1 1/2" - 1 1/4"	1 ea.	5.60
30	101436 Replacement Swivel Cuff (Black) 1 1/4"	1 ea.	7.85
	107220 Replacement Swivel Cuff (Black) 1 1/2"	1 ea.	6.41
	101678 50' Extension Cord (Not Shown)	1 ea.	32.60