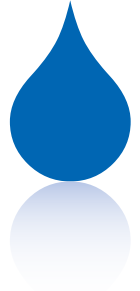


ProGuard® 4 Portable

107128 ProGuard 4 Portable w/4 Gallon Tool Kit (107184)
\$239

Power and versatility come together in the portable ProGuard 4 Wet/Dry Vacuum. For emergency spills, detail cleaning and portable jobsite maintenance, there's no better choice for true wet/dry vacuum performance in an easy-to-carry package.



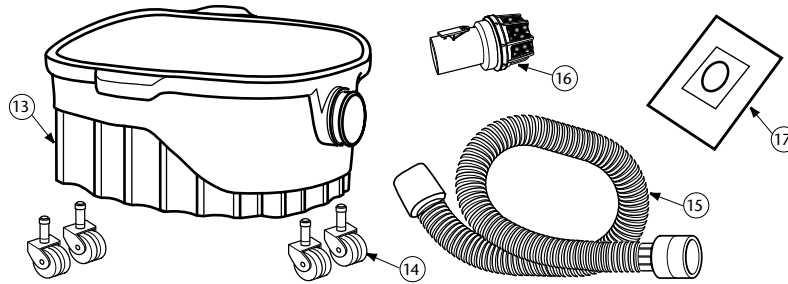
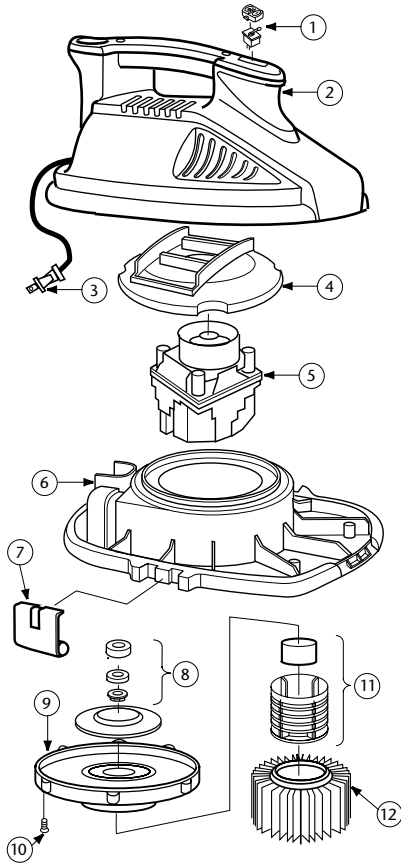
Specifications		Standard Configuration
Motor:	1080 W/9.0 A	10' Vacuum Hose
Airflow:	142 CFM	Two-piece Wand
Static Lift:	51"	Master Floor Tool
Tank Size:	4 gallon/15.2 L	Carpet Insert
Weight:	12 lbs./5.5 kg	Hard Surface Insert
Decibel:	76 dBA	Squeegee Insert
Fine Dust Cartridge Filter:	903 sq. in.	Crevice Tool
Power Cord:	20', 18 AWG	Dust Brush
		Claw Nozzle

Warranty
3 years on parts and labor
1 year on vacuum motor
Limited lifetime on molded body parts

RECOMMENDED ENVIRONMENTS:
<ul style="list-style-type: none"> • Education • Healthcare • Hospitality • Facility Service Providers

RECOMMENDED APPLICATIONS:
<ul style="list-style-type: none"> • Emergency Spills • Spot Cleaning • Jobsite Maintenance • Flooding • Day Porters

PROGUARD 4 PORTABLE PARTS



No.	Product Name	Qty	List Price
1	510224 Switch and Switch Cover	1 ea.	\$ 3.79
2	510225 Motor Cover and Top Handle	1 ea.	30.80
3	829719-4 Cord Assembly	1 ea.	10.34
4	830519 Exhaust Duct	1 ea.	2.70
5	509776-19 Motor Assembly	1 ea.	54.65
6	830520-2 Lid	1 ea.	35.20
7	826387 Tank Latch	1 ea.	.63
8	510124 Blower Wheel, Washer, Spacer, Nut	1 ea.	2.05
9	832656-1 Plate Collector	1 ea.	2.70
10	820563-4 Screw, Type AB #10 x 3/4"	1 ea.	.05
11	510108 Filter Cage and Float Assembly	1 ea.	4.52
12	107178 Qwik Lock Fine Dust Cartridge Filter	1 ea.	18.85
13	510106 Tank (with Inlet)	1 ea.	10.45
14	510109 Casters	4/pk	5.78
15	831337-6 Premium Hose Assembly	1 ea.	40.79
16	830098 Diffuser	1 ea.	4.99
17	107182 Intercept Micro Filter Bag (optional)	3/pk	18.00