

## ProGuard® 16 MD

107386 ProGuard 16 MD w/Wet/Dry Tool Kit (107187)  
**\$499**

The ProGuard 16 MD packs a big punch in a small profile. This 16 gallon unit can maneuver easily around obstacles from emergency spills to construction cleanup. The compact size and removable handle allows for easy storage and is equipped with a convenient tool bag to hold all necessary hand tools within reach.



### Specifications

Motor:	1380 W/9.5 A
Airflow:	105 CFM
Static Lift:	95"
Tank Size:	16 gallon/60.6 L
Weight:	29 lbs./13.2 kg
Decibel:	66 dBA
ProGuard Wet Filter:	Polypropylene Screen
Fine Dust Cartridge Filter:	1276 sq. in.
Power Cord:	50', 16 AWG

### Standard Configuration

10' Vacuum Hose
Two-piece Wand
Nylon Floor Tool
Squeegee Tool
Crevice Tool
Dust Brush

### Warranty

3 years parts, labor and motor on vacuum
Limited lifetime on molded body parts

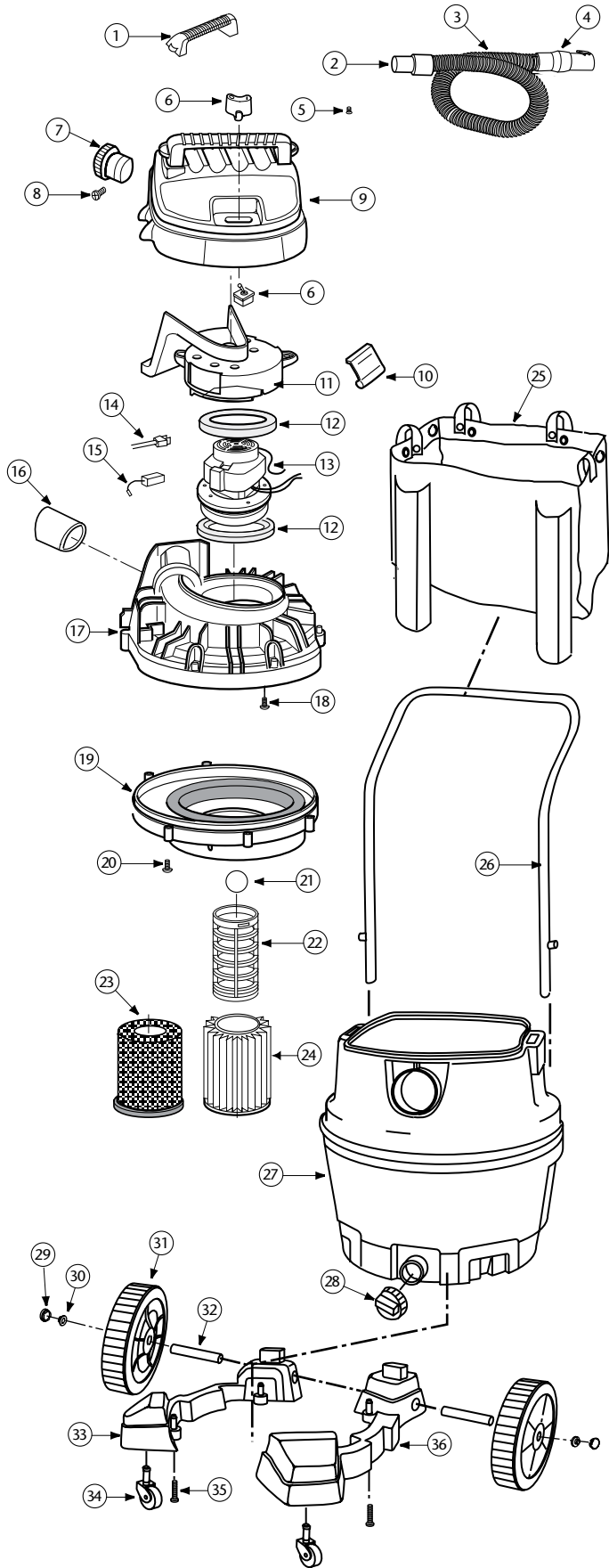
### RECOMMENDED ENVIRONMENTS:

- Education
- Healthcare
- Hospitality
- Facility Service

### RECOMMENDED APPLICATIONS:

- Retail
- Emergency/Flood Cleanup
- Hard Floor Refinishing
- Manufacturing

# PROGUARD 16 MD PARTS



No.	Product Name	Qty	List Price
1	830565-2 Handle Motor Cover	1 ea.	\$ 2.31
2	831577 Swivel Hose Cuff	1 ea.	2.42
3	831337-6 Hose Assembly w/ Cuffs	1 ea.	40.79
4	829900 Locking Ring Cuff	1 ea.	1.53
5	820563-4 Screw Type AB #10 x 3/4"	1 ea.	.05
6	510127 Switch Assembly	1 ea.	1.84
7	833600 Diffuser Assembly	1 ea.	3.83
8	820563-4 Screw Type AB #10 x 3/4"	1 ea.	.05
9	510286 Motor Cover Assembly	1 ea.	25.25
10	826387 Drum Latch	1 ea.	.63
11	831651 Duct Motor Exhaust/Cooling Fan	1 ea.	6.04
12	827415 Gasket Motor	1 ea.	4.36
13	831567 Motor Assembly Complete	1 ea.	83.21
14	831657-1 Power Cord Assembly	1 ea.	58.08
15	822374-8 Carbon Brush Set	1 set	4.88
16	830609 Exhaust Foam Pad	1 ea.	1.47
17	831653-1 Lid	1 ea.	10.18
18	826453-2 Screw 10-32 x 3/4"	1 ea.	.16
19	831659 Collector Assembly	1 ea.	9.19
20	820563-4 Screw Type AB #10 x 3/4"	1 ea.	.05
21	833778 Ball Float	1 ea.	1.21
22	830101-1 Filter Cage	1 ea.	2.73
23	107177 Quick Lock Wet Filter	1 ea.	25.15
24	107175 Qwik Lock Fine Dust Cartridge Filter	1 ea.	25.15
25	831668-1 Tote	1 ea.	10.61
26	830686 Handle	1 ea.	15.16
27	831660-2 Dust Drum Assembly	1 ea.	28.85
28	73185 Drain Cap	1 ea.	3.68
29	830611 Wheel Cap	1 ea.	4.28
30	813836-1 Cap Nut 1/2"	1 ea.	.53
31	832190 8" Wheel Assembly (Includes: #29, 30)	1 ea.	12.45
32	831024 Shaft	1 ea.	3.96
33	830577 Caddy, Left	1 ea.	11.04
34	832123 Caster	1 ea.	9.40
35	820563-5 Screw Type "AB" #10 x 1-3/4"	1 ea.	1.04
36	830576 Caddy, Right	1 ea.	11.04
509944	Bag of Loose Parts (Not Shown) (includes: #29, 30, 34, 35)	1 kit	10.05