

MegaVac®

105896* MegaVac w/Blower Kit B (106986)

\$559

The MegaVac powers through the toughest industrial and construction clean up jobs. The versatile design allows for quick conversion into a high powered blower while the huge filter capacity contains large amounts of debris.



PRODUCTIVE



ERGONOMIC



COST OF OWNERSHIP



LARGE CAPACITY



BLOWER

Specifications

Weight:	11 lbs./4.99 kg
Airflow:	150 CFM
Static Lift:	100 in.
Motor:	1188 W/9.9 A
Decibel:	66 dBA
Capacity:	10 qt./11 L
Four Level Filtration:	1136 sq. in. total area

Warranty

3 years parts, labor and motor on vacuum
 Limited lifetime on molded body parts

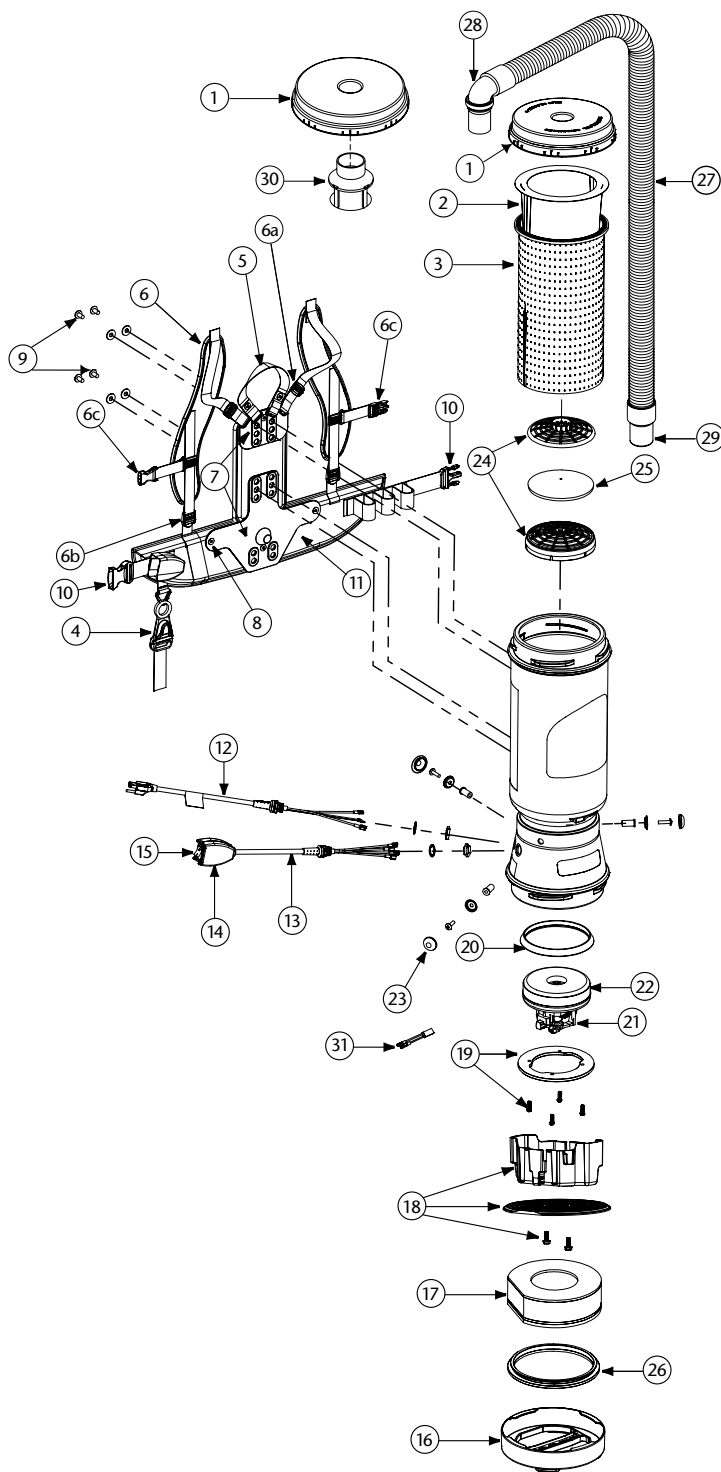
*STANDARD CONFIGURATION

- 14" Hard Floor Tool w/Horse Hair Brush
- Two-Piece, Two-Bend Aluminum Wand
- Blower Tool
- 3" Dust Brush
- 17" Crevice Tool

OPTIONAL CONFIGURATIONS

105892	w/ Blower Kit A (106984)	\$569
107137	w/ Xover Performance Floor Tool Blower Kit D (107160)	549
107345	w/ Blower Kit C (107337)	549
107138	w/ Xover Floor Tool Blower Kit E (107159)	549

MEGAVAC PARTS



No.	Product Name	Qty	List Price
1	100320 Twist Cap (Black)	1 ea.	\$ 34.10
2	100331 Intercept Micro Filter	10/pk	20.80
3	100565 Micro Cloth Filter	1 ea.	29.60
4	102604 Cord Holder	1 ea.	8.77
5	101737 Carry Handle w/Rivet and Washer Set	1 set	8.54
6	100356 Shoulder Strap Assembly (includes: #6a, 6b, 6c)	1 set	17.05
6a	100358 Shoulder Strap Plastic Adjustment Buckle (Top)	1 ea.	.99
6b	100357 Shoulder Strap Plastic Adj. Buckle (Bottom)	1 ea.	.99
6c	103627 Sternum Strap Buckles (Latch and Keeper)	1 set	2.10
7	105046 Backplate (includes: #8)	1 ea.	26.24
8	100375 Barrel Nut Connection Set for Backplate (Repl.)	1 set	5.90
9	100374 Backplate Connection Set: 4 Screws w/Washers, Stand Offs	1 set	13.11
10	106719 Waist Belt Keeper and Latch	1 ea.	11.89
11	100359 Waist Belt (includes: #10)	1 ea.	39.34
	100354 Strap Assembly Complete (includes: #6, 11)	1 set	52.47
	103166 Backplate System Complete (inc: #4,5,6,7,9,11)	1 set	65.58
12	100641 Power Cord Assembly	1 set	19.03
13	101610 Switch Cord Assembly (includes: #14, 15)	1 set	36.73
	101714 Switch Cord w/Crimps	1 ea.	16.28
14	101472 Switch Box w/Velcro and New Lamb Switch	1 set	23.60
	106287 Switch Box w/Velcro and Screws	1 ea.	17.61
15	106066 On/Off Switch (must use with #106287)	1 ea.	7.14
16	105070 Bottom Twist Cap (Black)	1 ea.	39.34
17	100597 Sound Muffler	1 ea.	28.97
18	105044 Motor Shroud/Diffuser w/Screw Set: 2 Screws	1 set	22.48
19	100335 Motor Compression Ring w/Screws	1 set	11.15
	100378 Compression Ring Screw Set: 4 Screws	1 set	2.95
20	100014 Tetraseal	1 ea.	11.81
21	105164 Carbon Brush Set for MegaVac (Domel Motor)	1 set	20.98
	101720 Carbon Brush Set for MegaVac (Ametek Motor)	1 set	20.98
22	105162 Motor/Fan (120V) w/Crimps for MegaVac	1 set	118.04
	100379 Motor Ground and Wire Clamp Set w/Screws	1 set	5.90
	100380 Motor Crimp Set: 4 Female, 4 Male, Ground Crimp Connector	1 set	10.49
23	100368 Motor Mounting System Set: 3 Well Nuts, 3 Bolts, 3 Washers, 3 Covers	1 set	13.11
24	100030 Dome Filter w/Foam Media	1 ea.	7.88
25	100343 Foam Filter Media for Dome Filter	1 ea.	1.32
	101220 High Filtration Disk (optional)	2/pk	10.59
26	104998 Bottom Twist Cap Gasket	1 ea.	9.18
27	103048 Static-Dissipating Hose w/Cuffs (Black)	1 ea.	24.93
28	101928 Replacement Double Swivel Elbow Cuff (Black)	1 ea.	9.06
29	100694 Replacement Swivel Cuff (Black) 1 1/2"	1 ea.	5.39
30	101543 Filter Guard (Optional)	1 ea.	9.47
31	107294 Thermal Protector	1 ea.	14.39
	101678 50' Extension Cord (Not Shown)	1 ea.	32.60